

# **DIVISION III WOMEN'S SOCCER CHAMPIONSHIPS RECORDS BOOK**

<b>2017 Championship.....</b>	<b>2</b>
<b>History.....</b>	<b>4</b>
<b>All-Time Results.....</b>	<b>12</b>



---

# 2017 CHAMPIONSHIP

---

## FIRST ROUND

Chicago 3, St. Catherine 0  
Hope 1, Wis.-Whitewater 0  
Loras 5, Webster 0  
Wheaton (IL) 2, Knox 0  
Washington-St. Louis 5, Dominican (IL) 0  
Wittenberg 3, Thomas More 2 (OT)  
Wis.-La Crosse 2, St. Scholastica 0  
St. Thomas (MN) 1, Wartburg 0  
TCNJ 3, Roger Williams 0  
Va. Wesleyan 3, Tufts 2  
Chris. Newport 6, Cabrini 0  
Lynchburg 1, McDaniel 0  
Messiah 4, Westfield St. 0  
Scranton 2, Rowan 1  
MIT 7, Castleton 2  
Middlebury 1, West Conn. St. 0  
William Smith 5, Lasell 0  
Swarthmore 1, Susquehanna 0 (OT)  
Ohio Northern 2, Penn St.-Behrend 0  
Ill. Wesleyan 2, Centre 1  
Carnegie Mellon 1, Farmingdale St. 0  
Arcadia 3, Franklin 1  
Hardin-Simmons 3, Methodist 1  
Trinity (TX) 2, Mary Hardin-Baylor 0  
Williams 2, Lesley 0  
Brandeis 3, Stevens 1  
Cal Lutheran 2, UC Santa Cruz 0  
Pacific Lutheran 4, Whittier 0  
Johns Hopkins 4, Staten Island 1  
Wilkes 1, Connecticut Col. 0  
SUNY Geneseo 2, Penn St.-Berks 1 (OT)  
Misericordia 1, Hamilton 0

## SECOND ROUND

Chicago 4, Hope 0  
Wheaton (IL) 1, Loras 0  
Washington-St. Louis 1, Wittenberg 0  
Wis.-La Crosse 1, St. Thomas (MN) 0  
TCNJ 3, Va. Wesleyan 0  
Lynchburg 2, Chris. Newport 1  
Messiah 1, Scranton 0  
MIT 1, Middlebury 0  
William Smith 2, Swarthmore 0  
Ohio Northern 2, Ill. Wesleyan 0  
Carnegie Mellon 1, Arcadia 0  
Hardin-Simmons 3, Trinity (TX) 2  
Williams 3, Brandeis 0  
Cal Lutheran 1, Pacific Lutheran 1 (2 OT, 5-4 PK)  
Johns Hopkins 2, Wilkes 0  
SUNY Geneseo 1, Misericordia 0

## SECTIONAL SEMIFINALS

Chicago 2, Wheaton (IL) 0  
Wis.-La Crosse 2, Washington-St. Louis 1  
TCNJ 5, Lynchburg 0  
Messiah 5, MIT 0  
Ohio Northern 1, William Smith 0 (OT)  
Hardin-Simmons 1, Carnegie Mellon 0  
Williams 4, Cal Lutheran 0  
Johns Hopkins 2, SUNY Geneseo 0

## SECTIONAL FINALS

Chicago 4, Wis. La Crosse 0  
TCNJ 1, Messiah 1 (2 OT, 3-1 PK)  
Hardin-Simmons 1, Ohio Northern 0  
Williams 3, Johns Hopkins 0

## SEMIFINALS

Chicago 1, TCNJ 0  
Williams 1, Hardin-Simmons 0

## CHAMPIONSHIP

Williams 1, Chicago 0

# HISTORY

## RESULTS

Year	Champion (Record)	Coach	Score	Runner-Up	Host or Site	Championship Game Attendance	Championship Total Attendance
1986	Rochester (NY) (13-2-1)	Terry Gurnett	1-0	Plymouth St.	SUNY Cortland	300	1,874
1987	Rochester (NY) (18-1)	Terry Gurnett	1-0	William Smith	Rochester (NY)	1,106	3,542
1988	William Smith (18-1-1)	Aliceann Wilber	1-0	UC San Diego	William Smith	800	2,907
1989	UC San Diego (19-1-1)	Brian McManus	3-2 (3 OT)	Ithaca	UC San Diego	1,200	3,461
1990	Ithaca (18-5-2)	Patrick Farmer	1-0 (4 OT, PK)	SUNY Cortland	SUNY Cortland	647	2,948
1991	Ithaca (19-2-3)	Patrick Farmer	2-0	Rochester (NY)	Plymouth St.	409	4,000
1992	SUNY Cortland (17-2-3)	Chris Malone	1-0	UMass Dartmouth	Mary Washington	300	4,471
1993	TCNJ (20-1-3)	Joe Russo	4-0	Plymouth St.	William Smith	600	3,503
1994	TCNJ (15-0)	Joe Russo	4-3 (3 OT)	UC San Diego	UC San Diego	1,025	4,904
1995	UC San Diego (19-2)	Brian McManus	3-0	Methodist	Stockton	713	6,351
1996	UC San Diego (21-1)	Brian McManus	2-1	TCNJ	Amherst	543	7,330
1997	UC San Diego (20-2)	Brian McManus	1-0	William Smith	Elizabethtown	240	9,774
1998	Macalester (22-1-1)	John Leaney	1-0 (4 OT)	TCNJ	Ithaca	230	9,098
1999	UC San Diego (19-1-2)	Brian McManus	1-0	Macalester	Williams	797	9,968
2000	TCNJ (23-1)	Joe Russo	2-1	Tufts	Tufts	1,500	10,558
2001	Ohio Wesleyan (22-1)	Bob Barnes	1-0	Amherst	Ohio Wesleyan	617	14,337
2002	Ohio Wesleyan (24-0)	Bob Barnes	1-0	Messiah	William Smith	548	8,662
2003	SUNY Oneonta (21-1-3)	Tracey Ranieri	2-1 (OT)	Chicago	SUNY Oneonta	811	10,796
2004	*Wheaton (IL) (25-1)	Pete Felske	1-1 (2 OT, PK)	Puget Sound	Greensboro, N.C.	726	13,494
2005	Messiah (22-0-1)	Scott Frey	1-0	TCNJ	Greensboro, N.C.	1,073	14,414
2006	Wheaton (IL) (24-2)	Pete Felske	2-0	TCNJ	Lake Buena Vista, Fla.	420	12,336
2007	Wheaton (IL) (27-0)	Pete Felske	1-0	Messiah	Lake Buena Vista, Fla.	530	12,955
2008	Messiah (24-0-2)	Scott Frey	5-0	Wheaton (IL)	Greensboro, N.C.	877	9,131
2009	Messiah (25-0-1)	Scott Frey	1-0	Washington-St. Louis	San Antonio	470	9,744
2010	Hardin-Simmons (24-0-1)	Marcus Wood	2-1	Messiah	San Antonio	795	17,393
2011	Messiah (23-0-1)	Scott Frey	3-1	Wheaton (IL)	San Antonio	562	13,352
2012	Messiah (24-1-1)	Scott Frey	1-0	Emory	San Antonio	437	12,580
2013	William Smith (23-1-0)	Aliceann Wilber	2-0	Trinity (TX)	San Antonio	654	11,506
2014	Lynchburg (26-0-2)	Todd Olsen	0-0 (2 OT, PK)	Williams	Kansas City	550	11,754
2015	Williams (20-1-1)	Michelyne Pinard	1-0	Washington-St. Louis	Kansas City	864	NA
2016	Washington-St. Louis (18-2-3)	Jim Conlon	1-1 (2 OT, 5-4 PK)	Messiah	Salem VA	847	NA
2017	Williams (22-1-1)	Michelyne Pinard	1-0	Chicago	Greensboro, NC	470	NA

\*Declared champion on the basis of penalty kicks.

## TEAM CHAMPIONSHIPS

Messiah	5
UC San Diego	5
TCNJ	3
Ithaca	2
Ohio Wesleyan	2
Rochester (NY)	2
Williams	2
Hardin-Simmons	1
Lynchburg	1
Macalester	1
SUNY Cortland	1
SUNY Oneonta	1
Washington-St. Louis	1

# ALL-TOURNAMENT TEAMS

## MOP—Most Outstanding Player.

### 1986

Martha Winter, Rochester (NY) (MOP)

### 1993

Jacqueline Dirr, TCNJ (MOP offensive)  
Danielle Mastrosimone, TCNJ (MOP defensive)  
Missy Blaney, TCNJ  
Lisa Freda, Plymouth St.  
Krista Gerard, TCNJ  
Randy Jennings, Plymouth St.  
Ele Johnson, UC San Diego  
Cyndi Marshall, TCNJ  
Kristin Okvist, William Smith  
Mary-Bridget Pawlik, Plymouth St.  
Carrie Peer, UC San Diego  
Allyson Shirtz, William Smith  
Cynthia Stone, William Smith

### 1994

Tracy Pear, TCNJ (MOP offensive)  
Jen Hart, TCNJ (MOP defensive)  
Missy Blaney, TCNJ  
Lisa Cesaro, TCNJ  
Kim Crawford, SUNY Geneseo  
Kim Faust, TCNJ  
Amanda Johnson, UC San Diego  
Ele Johnson, UC San Diego  
Dawn Lee, UC San Diego  
Jennifer Mazzucco, TCNJ  
Diana Muchowski, UC San Diego  
Trish Parker, N.C. Wesleyan  
Carrie Peer, UC San Diego

### 1995

Ele Johnson, UC San Diego (MOP offensive)  
Diana Muchowski, UC San Diego (MOP defensive)  
Heather Barbalinardo, Stockton  
Michele Brown, Methodist  
Beth Freeburg, UC San Diego  
Amanda Johnson, UC San Diego  
Ruth Keegan, Methodist  
Jen Maurer, Methodist  
Allison McCarthy, William Smith  
Marcy Meagher, William Smith  
Carrie Peer, UC San Diego  
Alvy Styles, Methodist  
Marcie Williams, Stockton

### 1996

Toni Nunez, UC San Diego (MOP offensive)  
Beth Freeburg, UC San Diego (MOP defensive)  
Cheryl Adronovitz, TCNJ  
Jessica Barry, Chicago  
Lisa Buckley, TCNJ  
Sarah Fabian, Amherst  
Shay Feilen, Chicago  
Ele Johnson, UC San Diego  
Lauren Johnson, UC San Diego

Daniela Kolarsick, TCNJ  
Shaunette Richards, Amherst  
Traci Tapp, TCNJ  
Christa Wemmer, UC San Diego

### 1997

Laura Johnson, UC San Diego (MOP offensive)  
Kathleen Thelian, William Smith (MOP defensive)  
Amy Bender, Elizabethtown  
Whitney Brusman, William Smith  
Antoinette DeLucia, William Smith  
Cindy Dostalek, UC San Diego  
Beth Freeburg, UC San Diego  
Janine Harispe, UC San Diego  
Maricela Ocegueda, UC San Diego  
Kim Rausch, William Smith  
Lynn Stoehr, Washington-St. Louis  
Lori Thomas, Washington-St. Louis  
Meredith Uber, Elizabethtown

### 1998

Kate Ryan-Reiling, Macalester (MOP offensive)  
Colleen Caldwell, TCNJ (MOP defensive)  
Dana Christopherson, Willamette  
Erin DeMarco, Ithaca  
Jessica DiManno, Ithaca  
Ellen Dully, Macalester  
Katie Edmonds, Willamette  
Tawni Epperson, Macalester  
Holly Harris, Macalester  
Victoria Nusse, TCNJ  
Traci Tapp, TCNJ  
Brianna Vazquez, TCNJ  
Liz Heaston, Willamette

### 1999

Erika Alfredson, UC San Diego (MOP offensive)  
Julia Cuder, UC San Diego (MOP defensive)  
Carly Androff, Macalaster  
Ann Brophy, Williams  
Meghan Cavanaugh, Williams  
Christina Ciafone, Williams  
Onie Elsberry, Macalaster  
Christina Grande, TCNJ  
Janine Harispe, UC San Diego  
Jennifer Hetland, UC San Diego  
Elizabeth Hughes, UC San Diego  
Kate Ryan-Reiling, Macalester  
Vanessa Wong, TCNJ

### 2000

Denise Buckley, TCNJ (MOP offensive)  
Jill DiGiampaolo, Trinity (TX) (MOP defensive)  
Erica Adelstein, Trinity (TX)  
Molly Cady, Wis.-Stevens Point  
Lynn Cooper, Tufts  
Melissa Dickey, Trinity (TX)  
Margaret Domka, Wis.-Stevens Point  
Cara Gabage, TCNJ  
Karen Geiger, TCNJ  
Beth Hoeflinger, TCNJ  
Mickey Jacob, Wis.-Stevens Point  
Carmen Mikacenic, Tufts

Adie Sherwood, Tufts

### 2001

Catherine Poor, Amherst (MOP offensive)  
Akeya Terrell, Ohio Wesleyan (MOP defensive)  
Emily Bayer, Ohio Wesleyan  
Katie Buchert, Ohio Wesleyan  
Sarah Kron, Wheaton (IL)  
Anne Merten, Willamette  
Buffy Morris, Willamette  
Rebecca Mouw, Wheaton (IL)  
Margaret Rubin, Amherst  
Katharine Shipley, Amherst  
Katy Sturtz, Ohio Wesleyan

### 2002

Erika Howland, Ohio Wesleyan (MOP offensive)  
Mindy Hammond, Ohio Wesleyan (MOP defensive)  
Jamie Bauer, William Smith  
Emily Benson, Messiah  
Mackenzie Bergstrom, Trinity (TX)  
Jamie Gasiorowski, Messiah  
Mindy Miller, Messiah  
Jennifer Sapp, Messiah  
Liz Sheehan, Ohio Wesleyan  
Alyson Stachura, William Smith  
Sarah Wall, Ohio Wesleyan

### 2003

Brooke Davis, SUNY Oneonta (MOP offensive)  
Dianna Connett, Chicago (MOP defensive)  
Brittney Boyd, TCNJ  
Jacqui DeLeon, Chicago  
Patricia Jaeger, SUNY Oneonta  
Amanda LaPolla, SUNY Oneonta  
Laura Morcone, SUNY Oneonta  
Renee Neuner, Chicago  
Meredith Rinaker, DePauw  
Lynda Schuster, TCNJ  
Corinne Scott, DePauw

### 2004

Bridget Stolee, Puget Sound (MOP offensive)  
Jessica Elsen, Wheaton (IL) (MOP defensive)  
Jen Binger, Wheaton (IL)  
Avie Fitzgerald, Messiah  
Cortney Kjar, Puget Sound  
Lauren Konopka, Wheaton (MA)  
Laura Koontz, Wheaton (IL)  
Elizabeth Pitman, Puget Sound  
Jordan Pouliot, Wheaton (MA)  
Savannah Stolzenburg, Messiah  
Ashley Vratil, Wheaton (IL)

### 2005

Kacie Klynstra, Messiah (MOP)  
Sarah Hibschan, Messiah  
Lydia Claudio, Tufts  
Diana Connett, Chicago  
Jacqui DeLeon, Chicago  
Dana DiBruno, TCNJ  
Martha Furtek, Tufts  
Courtney Krol, TCNJ  
Jamie Kunkel, TCNJ

Savannah Stolzenburg, Messiah

## 2006

Sarah Richardson, Wheaton (IL) (MOP offensive)  
Bethany Barton, Wheaton (IL) (MOP defensive)  
Kristin Eggert, Wheaton (IL)  
Kristen Cubicciotti, TCNJ  
Laura Delaney, TCNJ  
Avie Fitzgerald, Messiah  
Ally Hodgkins, Va. Wesleyan  
Laura Jackson, Va. Wesleyan  
Jamie Kunkel, TCNJ  
Taryne Lee, Wheaton (IL)  
Cali Pitchel, Messiah

## 2007

Kari Klynstra, Wheaton (IL) (MOP offensive)  
Bethany Barton, Wheaton (IL) (MOP defensive)  
Cassie Barbaresi, Western Conn. St.  
Molly Desjarlais, Western Conn. St.  
Dana DiBruno, TCNJ  
Kristin Eggert, Wheaton (IL)  
Kelly Foltz, Wheaton (IL)  
Rachel Horning, Messiah  
Kacie Klynstra, Messiah  
Briann McDonough, TCNJ  
Stef Rowe, Messiah

## 2008

Erin Hench, Messiah (MOP offensive)  
Kacie Klynstra, Messiah (MOP defensive)  
Ali Art, William Smith  
Brittany Bergh, Wheaton (IL)  
Caitlin Colesanti, Williams  
Amanda Davis, William Smith  
Kelly Foltz, Wheaton (IL)  
Katie Hoffsmith, Messiah  
Taryne Lee, Wheaton (IL)  
Amanda Naeher, Messiah  
Annie Neil, Williams  
Nicole Stenquist, Williams

## 2009

Amanda Naeher, Messiah (MOP offensive)  
Katllyn Musser, Messiah (MOP defensive)  
Emma Brown, Washington-St. Louis  
Jessica Clarke, TCNJ  
Lee Ann Felder, Washington-St. Louis  
Libby Held, Washington-St. Louis  
Katie Hoffsmith, Messiah  
Amy Horst, Messiah  
Brittany Klippstein, Lynchburg  
Betsy Kwiatkowski, Lynchburg  
Nikki Migliori, TCNJ

## 2010

Erin Low, Hardin-Simmons (MOP offensive)

Rebecca Roth, Hardin-Simmons (MOP defensive)  
Alex Brandt, Messiah  
Jenny Knox, Otterbein  
BreLynn Nasypany, William Smith  
Kate Redmond, William Smith  
Ali Rogers, Messiah  
Megan Ryan, Hardin-Simmons  
Lindsey Rudibaugh, Otterbein  
Brittany Vacca, Hardin-Simmons  
Corinne Wulf, Messiah

## 2011

Erin Hench, Messiah (MOP offensive)  
Kelsey Gorman, Messiah (MOP defensive)  
Alex Brandt, Messiah  
Renee Jensen, William Smith  
Katelyn Kishkunas, Wheaton (IL)  
Jaime Orewiler, Wheaton (IL)  
Rachael Palladino, Ithaca  
Becca Salant, Ithaca  
Anna Seabolt, Wheaton (IL)  
Esther Tan, Wheaton (IL)  
Jessie Tarantino, William Smith  
Lisa Wingard, Messiah

## 2012

Rachel Scheibeler, Messiah (MOP offensive)  
Lauren Gordodetsky, Emory (MOP defensive)  
Alex Brandt, Messiah  
Alicia Frey, Messiah  
Elizabeth Phillips, Messiah  
Nikki Elsaesser, Messiah  
Erin Roberts, Misericordia  
Megan Lannigan, Misericordia  
Keri Shannon, Wheaton (IL)  
Alexa Sharkley, Wheaton (IL)  
Lauren Drosick, Emory  
Kaelyn Lucas, Emory

## 2013

Krista Longo, William Smith (MOP offensive)  
Olivia Zitoli, William Smith (MOP defensive)  
Zoe Eth, William Smith  
Chelsea Dunay, William Smith  
Kara Shoe, William Smith  
Shelby Hopkins, Trinity (TX)  
Kelsey Falcone, Trinity (TX)  
Emily Jorgens, Trinity (TX)  
Kirby Peddicord, Trinity (TX)  
Lauren Roy, Capital  
Scarlett Kirk, Middlebury  
Hannah Robinson, Middlebury

## 2014

Audrey Thomas, Williams (MOP offensive)  
Emily Maxwell, Lynchburg (MOP defensive)

Julie Goverdika, III. Wesleyan  
Mary Kate Schmidt, III. Wesleyan  
Emily Nagourney, Johns Hopkins  
Alaina Arthur, Johns Hopkins  
Angela Bosco, Lynchburg  
Marina Clark, Lynchburg  
Tess Frelich, Lynchburg  
Mai Mitsuyama, Williams  
Maddie Swarr, Williams  
Lilly Wellenbach, Williams

## 2015

Kristina Alvarado, Williams (MOP offensive)  
Lizzy Crist, Washington-St. Louis (MOP defensive)  
Destinie Graves, Centre  
Tori Dillard, Centre  
Macaulay Soto, Messiah  
Nikki Elsaesser, Messiah  
Oliva Lillegraven, Washington-St. Louis  
Katie Chandler, Washington-St. Louis  
Megan Nicklay, Washington-St. Louis  
Kristi Kirshe, Williams  
Mai Mitsuyama, Williams  
Natasha Albanaze, Williams

## 2016

Katie Chandler, Washington-St. Louis (MOP offensive)  
Lizzy Crist, Washington-St. Louis (MOP defensive)  
Taylor Cohen, Washington-St. Louis  
Megan Nicklay, Washington-St. Louis  
DJ Cole, Messiah  
Kayla Deckert, Messiah  
Erin Sollenberger, Messiah  
Marisa Weaver, Messiah  
Haliana Burhans, Brandeis  
Michaela Friedman, Brandeis  
Jenna McKinney, Chicago  
Mackenzie Peebles, Chicago

## 2017

Natasha Albanaze, Williams (MOP offensive) (MOP offensive)  
Olivia Barnhill, Williams (MOP defensive)  
Taylor Cohen, Washington-St. Louis  
Allison Lu, Williams  
Danielle Sim, Williams  
Mia Calamari, Chicago  
Jenna McKinney, Chicago  
Kelsey Moore, Chicago  
Caitlin Christiansen, Hardin-Simmons  
Kendell Groom, Hardin-Simmons  
Jessica Goldman, TCNJ  
Christine Levering, TCNJ

## TOURNAMENT SCORING LEADERS

Year	Player, School	G	A	P
1986	Martha Winter, Rochester (NY)	3	0	6
1987	Joan Grupp, William Smith	2	1	5
	Lisa Rich, Rochester (NY)	2	1	5
1988	Ann Haggerty, William Smith	4	1	9
1989	Tracy Deyle, Ithaca	2	1	5
1990	Karen Hertel, SUNY Cortland	4	2	10
1991	Rachel Ackerman, Cal Lutheran	3	0	6
1992	Leanne Morris, UMass Dartmouth	3	0	6
1993	Cyndi Marshall, TCNJ	5	1	11
1994	Diana Muchowski, UC San Diego	4	0	8
1995	Ele Johnson, UC San Diego	2	2	6
1996	Lauren Johnson, UC San Diego	6	0	12
1997	Antoinette DeLucia, William Smith	4	2	10
	Lauren Johnson, UC San Diego	3	4	10
1998	Katy Sturtz, Ohio Wesleyan	8	3	19
1999	Melissa Matuszewicz, Union (NY)	4	1	9
2000	Lynn Cooper, Tufts	4	2	10
2001	Catherine Poor, Amherst	5	4	14
	Katy Sturtz, Ohio Wesleyan	6	2	14
2002	Michelle Wieser, Loras	4	2	10
2003	Tracy Pihoda, Wheaton (MA)	4	0	8
2004	Cortney Kjar, Puget Sound	4	6	14
2005	Dana DiBruno, TCNJ	3	2	8
	Jamie Kunkel, TCNJ	3	2	8
2006	Taryne Lee, Wheaton (IL)	6	4	16
2007	Kira Davis, Wheaton (IL)	4	0	8
	Jami Herrmann, Wheaton (IL)	4	0	8
	Janece Levien, Puget Sound	4	0	8
	Tiffany Rotatori, Worcester St.	4	0	8
2008	Erin Hench, Messiah	6	4	16
2009	Amanda Naehar, Messiah	6	1	13
2010	Sara Wild, Williams	6	0	12
2011	Erin Hench, Messiah	8	4	20
2012	Alex Brandt, Messiah	4	4	12
2013	Scarlett Kirk, Middlebury	6	2	14
2014	Kristi Kirshe, Williams	6	1	13
	Audrey Thomas, Williams	5	3	13
2015	Nikki Elsaesser, Messiah	7	1	15
2016	Meg Van De Loo, Johns Hopkins	5	2	12
2017	Natasha Albaneze, Williams	6	0	12

## INDIVIDUAL RECORDS

### GOALS, GAME

4—Katy Sturtz, Ohio Wesleyan (4) vs. Olivet (3), 1998; Katie Myers, Gettysburg (11) vs. Chestnut Hill (0), 2004; Sarah Wall, Ohio Wesleyan (9) vs. Manchester (0), 2004; Sara Wild, Williams (6) vs. Brandeis (0), 2010.

### GOALS, TOURNAMENT

8—Katy Sturtz, Ohio Wesleyan (4 vs. Olivet, 2 vs. Kalamazoo, 2 vs. Washington-St. Louis), 1998; Erin Hench, Messiah (3 vs. Elms, 3 vs. Amherst, 2 vs. Wheaton [IL]), 2011.

### GOALS, CAREER

19—Erin Hench, Messiah, 2007-08-09-11.

### ASSISTS, GAME

5—Molly Cady, Wis.-Stevens Point (7) vs. Edgewood (0), 2000.

## ASSISTS, TOURNAMENT

6—Molly Cady, Wis.-Stevens Point (5 vs. Edgewood, 1 vs. Salisbury), 2000; Cortney Kjar, Puget Sound (1 vs. Redlands, 1 vs. Hardin-Simmons, 2 vs. Washington-St. Louis, 1 vs. Messiah, 1 vs. Wheaton [IL]), 2004.

## ASSISTS, CAREER

13—Erin Hench, Messiah, 2007-08-09-11.

## POINTS, GAME

9—Sarah Wall (4 goals, 1 assist), Ohio Wesleyan (9) vs. Manchester (0), 2004.

## POINTS, TOURNAMENT

20—Erin Hench, Messiah (8 goals, 4 assists; 3-2 vs. Elms, 0-1 vs. Skidmore, 3-0 vs. Amherst, 2-1 vs. Wheaton [IL]), 2011.

## POINTS, CAREER

51—Erin Hench, Messiah, (19 goals, 13 assists), 2007-08-09-11.

## SAVES, GAME

29—Amanda Baltzley, Connecticut Col. (0) vs. TCNJ (1) (2 ot), 1998.

## LOWEST GOALS-AGAINST AVERAGE, TOURNAMENT (MINIMUM 3 GAMES, 50 PERCENT OF TEAM MINUTES)

0.00—Doreen Byers, Rochester (NY) (vs. Scranton, Plymouth St. and William Smith), 1987; JoAnn Johnston, Rochester (NY) (vs. Scranton, Plymouth St. and William Smith), 1987; Mary St. Germain, Plymouth St. (vs. Salem St., William Smith and UC San Diego), 1989; Beth Howland, Ithaca (vs. Plymouth St., Methodist and SUNY Cortland), 1990; Beth Howland, Ithaca (vs. N.C. Wesleyan, TCNJ, UC San Diego and Rochester [NY]), 1991; Melissa Samuels, SUNY Cortland (vs. Ithaca, TCNJ, UC San Diego and UMass Dartmouth), 1992; Mindy Hammond, Ohio Wesleyan (vs. Westminster [PA], Wilmington [OH], St. Thomas [MN], William Smith and Messiah), 2002; Brita Nelson, Wheaton (IL) (vs. Hope, Chicago, Chris. Newport, Wheaton [MA] and Puget Sound), 2004; Kristin Eggert, Wheaton (IL) (vs. Aurora, Macalester, Wis.-Eau Claire, Hardin-Simmons, Va. Wesleyan and TCNJ), 2006; Piper Crowell, Amherst (vs. Kean, Wheaton [MA], Endicott and TCNJ), 2006; Katie Loomis, UC Santa Cruz (vs. Claremont-M-S, Webster and Hardin-Simmons), 2006; Kayla Sulzer, Calvin (vs. Kenyon, Denison and Messiah), 2006; Laura Wann, Williams (vs. Lasell, Brandeis, Eastern Conn. St. and William Smith), 2010; Kaele Leonard, Emory (vs. Maryville [TN], Lynchburg, Wheaton [IL] and Hardin-Simmons), 2010; Anna Albi, Carnegie Mellon (vs. Cabrini, Ohio Northern, Wheaton [MA] and Emory), 2012; Chelsea Dunay, William Smith (vs. Cabrini, SUNY Oneonta, TCNJ, Ithaca, Capital, and Trinity [TX]), 2013.; Caitlin Christiansen Hardin-Simmons (vs. Wash. & Lee, Centre, Washington-St. Louis, 2016; Olivia Barnhill, Williams, Katie Donovan, Chicago, 2017).

## LOWEST GOALS-AGAINST AVERAGE, CAREER (MINIMUM 5 GAMES)

0.10—Mindy Hammond, Ohio Wesleyan, 2001-02 (1 goal, 10 games [872 minutes]).

## TEAM RECORDS

### GOALS, GAME

11—Gettysburg vs. Chestnut Hill (0), 2004.

### GOALS, TWO TEAMS, GAME

11—Washington-St. Louis (6) vs. Ohio Wesleyan (5), 1998; Gettysburg (11) vs. Chestnut Hill (0), 2004; TCNJ (10) vs. Stevenson (1), 2006.

### SHOTS, GAME

50—Chicago (2) vs. Edgewood (1) (2 ot), 1999; Wheaton (IL) (7) vs. St. Scholastica (1), 2007.

### CORNER KICKS, GAME

23—UC San Diego (1) vs. Macalester (0), 1989.

## FOULS, GAME

34—TCNJ (2) vs. Methodist (1) (3 ot), 1993.

## GOALS, TOURNAMENT

21—Messiah (10 vs. Elms, 3 vs. Skidmore, 1 vs. SUNY New Paltz, 3 vs. Amherst, 1 vs. William Smith, 3 vs. Wheaton [IL]), 2011.

## GOALS PER GAME, TOURNAMENT (MINIMUM 2 GAMES)

6.00—Gettysburg (12 goals in 2 games), 2004.

## LOWEST GOALS-AGAINST AVERAGE, TOURNAMENT (MINIMUM 3 GAMES)

0.00—Rochester (NY), 3 games, 1987; Ithaca, 4 games, 1991; SUNY Cortland, 4 games, 1992; Ohio Wesleyan, 5 games, 2002; Wheaton (IL), 6 games, 2006; Amherst, 4 games, 2006; UC Santa Cruz, 3 games, 2006; Carnegie Mellon, 4 games, 2012; William Smith, 6 games, 2013; Hardin-Simmons, 3 games, 2016; Williams, 6 games, 2017.

## WON-LOST-TIED RECORDS IN TOURNAMENT PLAY

(Note: Semifinal losers are credited with third place.)

Team (Years Participated)	Yrs.	Won	Lost	Tied	Pct.	1st	2nd	3rd
Agnes Scott (2012)	1	0	1	0	.000	0	0	0
Albion (2000-01-02-09)	4	2	4	1	.357	0	0	0
Alfred (1988)	1	0	1	0	.000	0	0	0
Allegheny (1988-2003-10-13-14)	5	0	5	0	.000	0	0	0
Alma (2011)	1	0	1	0	.000	0	0	0
Amherst (1994-95-96-97-98-2001-03-06-08-09-11-12-13-14-15-16)	15	28	11	5	.693	0	1	1
Arcadia (1999-2000-05-16-17)	5	1	4	1	.250	0	0	0
Augsburg (2014-16)	2	2	2	0	.500	0	0	0
Augustana (IL) (2005-06-09-10-12-13-15)	7	3	6	1	.350	0	0	0
Aurora (2001-02-05-06-07-09-10-11-12-13-14)	11	2	10	1	.192	0	0	0
Austin (1999-2000)	2	0	2	0	.000	0	0	0
Averett (2012)	1	0	1	0	.000	0	0	0
Babson (2015)	1	0	1	0	.000	0	0	0
Bates (1993-96-97-2005)	4	3	4	0	.429	0	0	0
Bay Path (2004)	1	0	1	0	.000	0	0	0
Binghamton (1991-95-96)	3	0	2	1	.167	0	0	0
Bowdoin (1995-96-97-98-99-2000-07-12-13-14-15)	11	3	10	2	.267	0	0	0
Brandeis (1988-2010-12-14-15-16-17)	7	10	7	2	.579	0	0	1
Bridgewater St. (2002-03-13)	3	1	3	0	.250	0	0	0
Brockport (2006)	1	0	1	0	.000	0	0	0
Brooklyn (2013-14)	2	0	2	0	.000	0	0	0
Buffalo St. (2016)	1	0	0	1	.500	0	0	0
Cabrini (2003-09-11-12-13-14-15-16-17)	8	0	8	0	.000	0	0	0
Cal Lutheran (1991-92-93-95-96-97-99-2000-07-10-11-12-13-17)	14	5	14	1	.275	0	0	0
Calvin (1997-98-2005-06-07-08-09-10-12-13-15)	11	12	7	5	.604	0	0	0
Capital (1999-2006-07-11-13-14-15)	7	5	6	3	.464	0	0	1
Carleton (2008-09-10)	3	4	3	0	.571	0	0	0
Carnegie Mellon (2012-13-14-15-16-17)	6	10	3	2	.733	0	0	0
Carroll (WI) (2002-07-08-09-11-15)	6	0	5	1	.083	0	0	0
Carthage (2007-08)	2	0	2	1	.167	0	0	0
Case (2011)	1	1	1	0	.500	0	0	0
Castleton (2005-10-11-12-17)	5	0	5	0	.000	0	0	0
Catholic (2005-09-14-15)	4	2	4	0	.333	0	0	0
CCNY (2012)	1	0	1	0	.000	0	0	0
Centenary (NJ) (2010)	1	0	0	1	.500	0	0	0
Centre (2008-11-12-13-14-15-16-17)	8	8	7	3	.528	0	0	1
Chapman (1999-2000-01-02-03-04-10-12)	8	4	7	1	.375	0	0	0
Chestnut Hill (2003-04)	2	0	2	0	.000	0	0	0
Chicago (1996-97-98-99-2002-03-04-05-07-08-09-10-13-14-15-16-17)	17	28	15	5	.635	0	2	3
Chris. Newport (2000-04-05-06-09-10-13-14-16-17)	10	4	10	0	.286	0	0	0
Claremont-M-S (2002-06-08-09-13-15)	6	3	6	1	.350	0	0	0
Clark (MA) (1998)	1	0	1	0	.000	0	0	0
Colby (1997-98)	2	2	2	1	.500	0	0	0
Colby-Sawyer (2013-14-15-16)	4	0	4	0	.000	0	0	0
Concordia-M'head (2006-07-09-10-11-12-14)	7	6	7	1	.464	0	0	0
Concordia-Wisconsin (2004)	1	0	1	0	.000	0	0	0
Connecticut Col. (1998-2014-1617)	4	3	4	1	.438	0	0	0
Curry (1986-87)	2	0	2	0	.000	0	0	0
Dallas (2001-04-05)	3	0	3	0	.000	0	0	0
Denison (1992-93-97-98-99-2000-01-03-05-06-07-08-09-10-15-16)	16	13	15	4	.469	0	0	0
DePauw (1997-99-2001-03-05-06-12-15)	8	5	8	3	.406	0	0	1
DeSales (2015)	1	0	1	0	.000	0	0	0

Team (Years Participated)	Yrs.	Won	Lost	Tied	Pct.	1st	2nd	3rd
Dominican (IL) (2017)	1	0	1	0	.000	0	0	0
Dickinson (2005-10)	2	3	2	1	.583	0	0	0
Drew (1997-2013)	2	0	2	0	.000	0	0	0
Dubuque (2009-14)	2	0	2	0	.000	0	0	0
Eastern (2007-08-09-11)	4	5	3	1	.611	0	0	0
Eastern Conn. St. (1989-2003-05-09-10-11)	6	1	6	1	.188	0	0	0
Edgewood (1999-2000-01-08)	4	0	4	0	.000	0	0	0
Elizabethtown (1997-98-99-2001-06-07-13)	7	9	5	2	.625	0	0	1
Elmira (1997)	1	0	1	1	.250	0	0	0
Elms (2011-16)	2	0	2	0	.000	0	0	0
Emmanuel (MA) (2003-07)	2	0	2	0	.000	0	0	0
Emory (1993-95-96-97-98-2000-02-04-05-07-08-10-11-12-13-14)	16	16	15	4	.514	0	1	0
Endicott (1999-2001-03-04-05-06-07-08-09-13)	10	5	9	3	.382	0	0	0
Farmingdale St. (2007-08-09-10-11-12-13-14-16-17)	10	0	10	0	.000	0	0	0
Framingham St. (1999-2000-01)	3	0	3	0	.000	0	0	0
Franklin (2017)	1	0	1	0	.000	0	0	0
Frostburg St. (2001-02-03-04-05-09-12-14)	8	1	7	2	.200	0	0	0
Gettysburg (1993-94-97-98-99-2004-14)	7	2	6	1	.278	0	0	0
Greensboro (2002-03)	2	0	1	1	.250	0	0	0
Grinnell (1999-2004-05-06)	4	1	4	0	.200	0	0	0
Grove City (2002-03-12)	3	1	3	0	.250	0	0	0
Gust. Adolphus (1993-94-95-96-97-98-2015)	7	3	7	0	.300	0	0	0
Gwynedd-Mercy (2001)	1	0	1	0	.000	0	0	0
Hamilton (2004-07-10-17)	4	4	4	1	.500	0	0	0
Hanover (2011-13-14-15-16)	5	2	5	0	.286	0	0	0
Hardin-Simmons (1999-2001-03-04-05-06-07-08-09-10-11-12-13-14-15-16-17)	17	24	13	9	.620	1	0	1
Hartwick (1986-87-88-89-90)	5	2	5	0	.286	0	0	0
Haverford (2005-12-13)	3	0	2	2	.250	0	0	0
Heidelberg (1995-96)	2	0	2	0	.000	0	0	0
Hope (2003-04-05-14-16-17)	6	3	5	1	.389	0	0	0
Husson (2003-06-07-08-09)	5	1	5	0	.167	0	0	0
Ill. Wesleyan (2005-08-09-10-11-13-14-15-16-17)	10	10	8	3	.548	0	0	1
Ithaca (1987-88-89-90-91-92-93-94-96-97-98-99-2000-03-04-05-06-07-08-09-10-11-12-13-14-15)	26	40	20	6	.652	2	1	3
John Carroll (2001)	1	0	1	0	.000	0	0	0
Johns Hopkins (1997-98-2002-05-06-07-08-09-10-11-12-13-14-15-16-17)	16	25	15	3	.616	0	0	0
Johnson & Wales (RI) (2000-05)	2	0	2	0	.000	0	0	0
Kalamazoo (1988-90-91-97-98-99)	6	3	6	0	.333	0	0	0
Kean (1986-90-91-92-96-2006)	6	0	6	0	.000	0	0	0
Keene St. (1998-2002-04-13-14)	5	3	5	0	.375	0	0	0
Kenyon (2006-14)	2	2	2	0	.500	0	0	0
Keuka (2001-08-09-10)	4	1	4	0	.200	0	0	0
Knox (2016-17)	2	0	2	0	.000	0	0	0
Lake Forest (2003-12-14)	3	1	3	0	.250	0	0	0
Lakeland (2003-05)	2	0	2	0	.000	0	0	0
Lancaster Bible (2011-12)	2	0	2	0	.000	0	0	0
Lasell (2010-11-12-13-14-15-16-17)	8	1	8	0	.111	0	0	0
Lawrence (2000-01-10)	3	1	3	0	.250	0	0	0
Lebanon Valley (2011)	1	0	1	0	.000	0	0	0
Lesley (2012-13-14-15-17)	5	0	5	0	.000	0	0	0
Loras (2001-02-03-04-05-06-08-10-11-12-13-16-17)	13	12	12	2	.500	0	0	0
Luther (2016)	1	1	1	0	.500	0	0	0
Lynchburg (1997-98-99-2000-01-04-05-07-08-09-10-11-12-13-14-15-16-17)	18	27	15	5	.628	1	0	1
Macalester (1989-90-92-95-96-97-98-99-2000-03-04-05-06-09-10)	15	19	12	3	.603	1	1	0
Manchester (2003-04)	2	0	2	0	.000	0	0	0
Manhattanville (2007-10)	2	0	2	0	.000	0	0	0
Mary Hardin-Baylor (2017)	1	0	1	0	.000	0	0	0
Mary Washington (1989-90-91-92-94-97-98-99-2001-02-03-04-09)	13	11	13	3	.463	0	0	1
Maryville (MO) (1999)	1	0	1	0	.000	0	0	0
Maryville (TN) (2001-04-05-06-07-08-09-10-14)	9	2	9	0	.182	0	0	0
Marywood (2008-16)	2	0	1	1	.250	0	0	0
McDaniel (2015-16-17)	3	2	3	0	.400	0	0	0
Me.-Farmington (2003)	1	1	1	0	.500	0	0	0
Meredith (2006-08)	2	0	2	0	.000	0	0	0
Messiah (2000-01-02-03-04-05-06-07-08-09-10-11-12-13-14-15-16-17)	18	64	9	7	.844	5	3	4
Methodist (1986-87-88-89-90-93-94-95-2006-07-17)	11	11	11	0	.500	0	1	3
Middlebury (1997-2000-04-06-09-11-12-13-16-17)	10	18	10	0	.643	0	0	1



Team (Years Participated)	Yrs.	Won	Lost	Tied	Pct.	1st	2nd	3rd
Minn.-Morris (2016)	1	0	1	0	.000	0	0	0
Misericordia (2002-04-05-06-11-12-13-14-15-16-17)	11	8	11	2	.429	0	0	1
MIT (2009-11-12-13-14-16-17)	7	4	5	3	.458	0	0	0
Mitchell (2010)	1	0	1	0	.000	0	0	0
Montclair St. (2004-06-12-13-14-15-16)	7	8	6	2	.563	0	0	0
Mount Union (2016)	1	0	1	0	.000	0	0	0
Moravian (2005-07-08)	3	1	3	0	.250	0	0	0
Mount Holyoke (1986)	1	0	1	0	.000	0	0	0
MSOE (2015-16)	2	0	2	0	.000	0	0	0
Mt. St. Joseph (1999-2000-01-02-05-08)	6	1	5	1	.214	0	0	0
Muhlenberg (2000-01-03-09)	4	3	4	0	.429	0	0	0
N.C. Wesleyan (1988-91-92-93-94-96-97-99-2000-01)	10	7	9	10	.462	0	0	1
Nazareth (1997-98-99-2000-01-02-06-08-14-16)	10	8	10	1	.447	0	0	0
Nichols (2002)	1	0	1	0	.000	0	0	0
Northwestern-St. Paul (2010)	1	0	1	0	.000	0	0	0
Norwich (2008)	1	0	1	0	.000	0	0	0
Notre Dame (MD) (2001-02-05-06)	4	0	4	0	.000	0	0	0
NYU (2002-14)	2	2	2	0	.500	0	0	0
Ohio Northern (2009-11-12-13)	4	4	4	1	.500	0	0	0
Ohio Wesleyan (1991-92-98-99-2000-01-02-04-05-11)	10	15	6	3	.688	2	0	0
Olivet (1998)	1	0	1	0	.000	0	0	0
Otterbein (2004-05-06-08-09-10)	6	8	3	5	.656	0	0	1
Pacific Lutheran (2016-17)	2	1	1	1	.500	0	0	0
Penn St.-Altoona (2008-10)	2	0	2	0	.000	0	0	0
Penn St.-Behrend (2000-06-07-11-12-13-14-15-16-17)	10	0	10	0	.000	0	0	0
Penn St.-Berks (2013-14-15-16-17)	5	2	5	0	.286	0	0	0
Piedmont (2011-13-15-16)	4	0	4	0	.000	0	0	0
Plattsburgh St. (1995-2009-10)	3	0	2	1	.167	0	0	0
Plymouth St. (1986-87-88-89-90-91-92-93-94-97)	10	13	8	2	.609	0	2	3
Pomona-Pitzer (2005-15-16)	3	4	2	1	.643	0	0	0
Principia (2004-08-10-11)	4	0	4	0	.000	0	0	0
Puget Sound (1999-2000-02-03-04-05-06-07-08-09-10-11-12-13-14-15)	16	18	11	7	.597	0	1	0
Randolph-Macon (1994-95-96)	3	1	3	1	.300	0	0	0
Redlands (2001-04-08-10-14)	5	4	5	1	.450	0	0	0
Rhodes (2008)	1	0	0	1	.500	0	0	0
Roanoke (1998-2007-11)	3	1	2	1	.375	0	0	0
Rochester (NY) (1986-87-88-89-90-91-92-93-95-96-97-98-2001-05-06-08-09-10)	18	22	15	4	.585	2	1	0
Rochester Inst. (2012-13)	2	0	1	2	.333	0	0	0
Roger Williams (2008-10-11-12-14-15-17)	7	4	7	0	.364	0	0	0
Rose-Hulman (2007)	1	0	1	0	.000	0	0	0
Rowan (1999-2005-06-07-08-09-10-11-12-13-15-16-17)	13	10	11	2	.478	0	0	0
Saint Benedict (1990-97-98-2002-07-11-13)	7	4	7	1	.375	0	0	1
Saint Mary's (MN) (1986-87-88-89-90-91-94)	7	2	7	0	.222	0	0	0
Salem (2013-14)	2	0	2	0	.000	0	0	0
Salem St. (1988-89-90-91-92)	5	1	4	1	.250	0	0	0
Salisbury (2000-06-07-11)	4	2	4	0	.333	0	0	0
SCAD (1999-2000-02)	3	0	3	0	.000	0	0	0
Scranton (1987-89-90-92-99-2000-01-02-03-04-06-10-11-12-13-16-17)	17	7	14	5	.365	0	0	0
Sewanee (2005-15)	2	0	2	0	.000	0	0	0
Shenandoah (2011)	1	0	1	0	.000	0	0	0
Simmons (2004-09)	2	0	2	0	.000	0	0	0
Simpson (1999)	1	1	1	0	.500	0	0	0
Skidmore (1994-96-2008-09-11-13)	6	0	4	3	.214	0	0	0
Smith (1986)	1	1	1	0	.500	0	0	0
Springfield (2005-07-08-10-11-12-13-14-15)	9	4	9	0	.308	0	0	0
St. Catherine (2017)	1	0	1	0	.000	0	0	0
St. Joseph's (L.I.) [2015]	1	0	1	0	.000	0	0	0
St. Lawrence (1986-89-2015)	3	1	3	0	.250	0	0	0
St. Mary's (MD) (2008)	1	0	1	0	.000	0	0	0
St. Norbert (2013)	1	0	1	0	.000	0	0	0
St. Scholastica (2007-08-09-11-12-13-14-15-17)	9	1	9	0	.100	0	0	0
St. Thomas (MN) (1987-88-89-97-98-2001-02-08-09-16-17)	11	9	9	2	.500	0	0	1
Staten Island (2015-16-17)	3	0	3	0	.000	0	0	0
Stevens (2002-03-04-05-06-10-11-15-16-17)	10	8	9	2	.474	0	0	0
Stevenson (2000-06-10-14)	4	4	4	0	.500	0	0	0
Stockton (1995-96-97-98-2006-07-08-09)	8	4	7	2	.385	0	0	1
Summit (2007)	1	0	1	0	.000	0	0	0

Team (Years Participated)	Yrs.	Won	Lost	Tied	Pct.	1st	2nd	3rd
SUNY Cortland (1986-87-88-89-90-91-92-93-94-98-2011-12)	12	11	9	6	.538	1	1	1
SUNY Geneseo (1992-93-94-2009-14-17)	6	3	5	4	.417	0	0	1
SUNY New Paltz (2011)	1	1	1	1	.500	0	0	0
SUNY Oneonta (1997-99-2000-01-02-03-04-05-06-07-08-09-10-13-15)	15	17	13	2	.563	1	0	0
Susquehanna (2017)	1	0	1	0	.000	0	0	0
Swarthmore (2014-15-16-17)	4	4	4	4	.500	0	0	0
TCNJ (1991-92-93-94-95-96-97-98-99-2000-01-02-03-04-05-06-07-08-09-10-11-12-13-15-16-17)	26	59	22	5	.715	3	4	5
Texas-Dallas (2002-11)	2	1	2	0	.333	0	0	0
Texas-Tyler (2014-15)	2	0	2	0	.000	0	0	0
Thomas More (2003-11-12-13-15-16-17)	7	7	7	0	.500	0	0	0
Transylvania (2006-09-10-12-13)	5	0	5	0	.000	0	0	0
Trinity (CT) (2013-16)	2	1	1	2	.500	0	0	0
Trinity (TX) (1992-93-95-96-97-98-99-2000-01-02-04-05-06-07-09-10-11-12-13-14-15-16-17)	23	29	17	9	.609	0	1	2
Tufts (1998-2000-02-05-07-17)	6	10	5	4	.632	0	1	1
U New England (2000)	1	0	1	0	.000	0	0	0
UC San Diego (1986-87-88-89-90-91-92-93-94-95-96-97-98-99)	14	37	8	2	.809	5	2	4
UC Santa Cruz (1999-2000-02-06-07-08-09-11-15-16-17)	11	4	10	1	.300	0	0	0
UMass Boston (2012)	1	0	1	0	.000	0	0	0
UMass Dartmouth (1992-93-94)	3	3	3	1	.500	0	1	0
Union (NY) (1999-2000-01-02-03-05-06-07-08-12)	10	5	7	3	.433	0	0	0
Va. Wesleyan (2003-05-06-07-08-09-10-11-12-16-17)	11	7	10	4	.429	0	0	1
Wartburg (2007-10-11-12-15-17)	6	4	5	3	.458	0	0	0
Wash. & Jeff. (2008-09-10)	3	0	3	1	.125	0	0	0
Wash. & Lee (2002-03-05-06-09-16)	6	5	5	2	.500	0	0	0
Washington-St. Louis (1995-97-98-2003-04-06-07-08-09-10-11-12-13-14-15-16-17)	17	35	14	8	.684	1	2	1
Webster (2000-01-02-03-05-06-07-09-12-13-14-16-17)	13	2	13	0	.133	0	0	0
Wellesley (1998-99)	2	4	1	1	.750	0	0	0
Wentworth (2016)	1	1	1	0	.500	0	0	0
Western Conn. St. (1997-99-2000-01-05-06-07-08-10-12-15-16-17)	13	7	13	2	.364	0	0	1
Western New Eng. (1999-2001-02-06)	4	0	4	0	.000	0	0	0
Westfield St. (2008-09-11-12-15-17)	6	0	6	1	.071	0	0	0
Westminster (MO) [2015]	1	0	1	0	.000	0	0	0
Westminster (PA) (2002-03-04-05-07)	5	3	4	1	.438	0	0	0
Wheaton (IL) (1997-98-99-2000-01-02-03-04-05-06-07-08-09-10-11-12-13-14-15-16)	20	51	14	5	.764	3	2	2
Wheaton (MA) (2000-01-02-03-04-05-06-07-08-09-10-11-12)	13	17	11	2	.600	0	0	1
Whittier (2003-17)	2	0	2	0	.000	0	0	0
Whitworth (2007)	1	1	1	0	.500	0	0	0
Wilkes (2005-17)	2	1	2	0	.333	0	0	0
Willamette (1998-99-2000-01-06)	5	8	3	2	.692	0	0	2
William Penn (2000)	1	1	1	0	.500	0	0	0
William Smith (1987-88-89-90-91-92-93-94-95-96-97-98-99-2000-01-02-05-07-08-09-10-11-12-13-14-15-16-17)	28	53	21	9	.693	2	2	6
Williams (1993-94-95-96-98-99-2001-04-07-08-09-10-11-12-13-14-15-16-17)	19	39	16	6	.689	2	1	2
Wilmington (OH) (1994-96-97-2000-02-03)	6	5	6	0	.455	0	0	0
Wis.-Eau Claire (2005-06-07-08)	4	3	3	2	.500	0	0	0
Wis.-La Crosse (2015-17)	2	3	2	0	.600	0	0	0
Wis.-Oshkosh (2006-11-14-15)	4	0	4	1	.100	0	0	0
Wis.-Stevens Point (1993-94-95-97-98-99-2000-01-02-03-04-07-08-09-10)	15	16	14	2	.531	0	0	1
Wis.-Whitewater (2011-12-13-14-15-16-17)	7	8	7	1	.531	0	0	0
Wittenberg (2006-07-08-09-12-16-17)	7	4	6	2	.417	0	0	0
Wm. Paterson (1997-98-2010)	3	1	3	0	.250	0	0	0
Wooster (1992-96)	2	0	2	0	.000	0	0	0
Worcester St. (2004-05-06-07-2010-14-16)	7	3	6	1	.350	0	0	0
WPI (2016)	1	0	0	1	.500	0	0	0
York (PA) (2007-13-15)	3	3	3	0	.500	0	0	0

# ALL-TIME RESULTS

*\*Advanced on penalty kicks.*

## 1986

### First Round

Saint Mary's (MN) 2, Methodist 1 (2 OT, PK)  
Smith 1, Mount Holyoke 0  
Hartwick 3, Kean 1  
St. Lawrence 2, Curry 1.

### Second Round

UC San Diego 1, Saint Mary's (MN) 0 (2 OT, PK)  
Rochester (NY) 3, Smith 1  
SUNY Cortland 1, Hartwick 0  
Plymouth St. 3, St. Lawrence 0.

### Semifinals

Rochester (NY) 2, UC San Diego 0  
Plymouth St. 3, SUNY Cortland 2.

### Championship

Rochester (NY) 1, Plymouth St. 0

## 1987

### First Round

St. Thomas (MN) 2, Saint Mary's (MN) 1  
William Smith 2, Hartwick 1 (2 OT, PK)  
Scranton 2, Ithaca 0  
Plymouth St. 2, Curry 1.

### Second Round

St. Thomas (MN) 1, UC San Diego 0  
William Smith 2, SUNY Cortland 0  
Rochester (NY) 6, Scranton 0  
Plymouth St. 2, Methodist 0.

### Semifinals

William Smith 1, St. Thomas (MN) 0 (2 OT)  
Rochester (NY) 1, Plymouth St. 0.

### Championship

Rochester (NY) 1, William Smith 0

## 1988

### First Round

UC San Diego 3, St. Thomas (MN) 0  
SUNY Cortland 2, Saint Mary's (MN) 1  
Plymouth St. 3, Salem St. 0  
Ithaca 1, Brandeis 0  
William Smith 6, Alfred 0  
Hartwick 2, Allegheny 1  
Methodist 3, N.C. Wesleyan 0  
Kalamazoo 3, Rochester (NY) 2 (2 OT, PK).

### Second Round

UC San Diego 2, SUNY Cortland 0  
Ithaca 2, Plymouth St. 0  
William Smith 2, Hartwick 1 (2 OT, PK)  
Methodist 2, Kalamazoo 1.

### Semifinals

UC San Diego 2, Ithaca 0 (2 OT)  
William Smith 2, Methodist 1 (2 OT, PK).

### Championship

William Smith 1, UC San Diego 0 (2 OT)

## 1989

### First Round

UC San Diego 1, Macalester 0 (2 OT)  
St. Thomas (MN) 2, Saint Mary's (MN) 1 (2 OT, PK)  
Plymouth St. 1, Salem St. 0  
William Smith 2, Eastern Conn. St. 0  
Methodist 3, Scranton 0

Mary Washington 1, St. Lawrence 0 (2 OT, PK)  
Rochester (NY) 1, SUNY Cortland 0 (2 OT, PK)  
Ithaca 2, Hartwick 0.

### Second Round

UC San Diego 2, St. Thomas (MN) 1 (2 OT, PK)  
Plymouth St. 1, William Smith 0 (2 OT, PK)  
Methodist 3, Mary Washington 0  
Ithaca 2, Rochester (NY) 1 (2 OT, PK).

### Semifinals

UC San Diego 1, Plymouth St. 0 (2 OT, PK)  
Ithaca 2, Methodist 0.

### Championship

UC San Diego 3, Ithaca 2 (3 OT)

## 1990

### First Round

Macalester 1, UC San Diego 0 (2 OT)  
Saint Benedict 1, Saint Mary's (MN) 0  
Rochester (NY) 1, William Smith 0  
SUNY Cortland 3, Kean 1  
Ithaca 1, Plymouth St. 0 (2 OT, PK)  
Salem St. 2, Hartwick 0  
Kalamazoo 3, Mary Washington 1  
Methodist 1, Scranton 0 (2 OT).

### Second Round

Saint Benedict 1, Macalester 0  
SUNY Cortland 2, Rochester (NY) 1 (2 OT, PK)  
Ithaca 1, Salem St. 0  
Methodist 1, Kalamazoo 0.

### Semifinals

SUNY Cortland 3, Saint Benedict 1  
Ithaca 1, Methodist 0.

### Championship

Ithaca 1, SUNY Cortland 0 (4 OT, PK)

## 1991

### First Round

William Smith 2, Ohio Wesleyan 0  
Rochester (NY)\* 1, Binghamton 1 (2 OT, PK)  
SUNY Cortland 2, Salem St. 0  
Plymouth St. 3, Kean 1  
TCNJ 1, Mary Washington 0  
Ithaca 1, N.C. Wesleyan 0  
Cal Lutheran 3, Kalamazoo 0  
UC San Diego 5, Saint Mary's (MN) 0.

### Second Round

Rochester (NY) 1, William Smith 0  
Plymouth St. 1, SUNY Cortland 0  
Ithaca 1, TCNJ 0  
UC San Diego 2, Cal Lutheran 0.

### Semifinals

Rochester (NY) 1, Plymouth St. 0  
Ithaca 1, UC San Diego 0.

### Championship

Ithaca 2, Rochester (NY) 0

## 1992

### First Round

Rochester (NY) 2, SUNY Geneseo 0  
William Smith 5, Scranton 0  
UMass Dartmouth\* 2, Salem St. 2 (4 OT, PK)  
Mary Washington 1, N.C. Wesleyan 0.

### Regionals

Cal Lutheran 3, Trinity (TX) 0  
UC San Diego 1, Macalester 0  
UC San Diego 3, Cal Lutheran 2  
TCNJ 1, Rochester (NY) 0  
SUNY Cortland\* 0, Ithaca 0 (2 OT)  
SUNY Cortland 1, TCNJ 0  
Plymouth St. 3, William Smith 2  
UMass Dartmouth 1, Kean 0

UMass Dartmouth 1, Plymouth St. 0  
Mary Washington 1, Wooster 0  
Denison 4, Ohio Wesleyan 1  
Mary Washington 1, Denison 0 (4 OT).

### Semifinals

\*SUNY Cortland 0, UC San Diego 0 (2 OT, PK)  
UMass Dartmouth 1, Mary Washington 0 (2 OT).

### Championship

SUNY Cortland 1, UMass Dartmouth 0

## 1993

### First Round

TCNJ 4, Gettysburg 0  
Williams 2, Bates 0  
Rochester (NY)\* 0, SUNY Cortland 0 (4 OT, PK)  
UC San Diego 1, Cal Lutheran 0.

### Regionals

William Smith 3, Denison 1  
Ithaca 1, SUNY Geneseo 0 (2 OT)  
William Smith 1, Ithaca 0 (2 OT)  
TCNJ 5, Emory 0 (2 OT)  
Methodist 1, N.C. Wesleyan 0  
TCNJ 2, Methodist 1 (3 OT)  
Plymouth St. 2, Williams 0  
Rochester (NY) 2, UMass Dartmouth 0  
Plymouth St. 1, Rochester (NY) 0  
Wis.-Stevens Point 4, Trinity (TX) 2 (2 OT)  
UC San Diego 2, Gust. Adolphus 0  
UC San Diego 2, Wis.-Stevens Point 0.

### Semifinals

\*TCNJ 0, William Smith 0 (2 OT, PK)  
Plymouth St. 1, UC San Diego 0 (2 OT).

### Championship

TCNJ 4, Plymouth St. 0

## 1994

### First Round

Amherst 4, UMass Dartmouth 2 (2 OT)  
SUNY Geneseo\* 2, Skidmore 2 (4 OT, PK)  
Saint Mary's (MN) 4, Gust. Adolphus 1  
Gettysburg 4, Randolph-Macon 1.

### Regionals

TCNJ 1, Amherst 0  
Williams\* 1, Plymouth St. 1 (2 OT, PK)  
TCNJ 2, Williams 0  
SUNY Geneseo 1, Ithaca 0 (2 OT)  
William Smith 2, SUNY Cortland 0  
SUNY Geneseo\* 1, William Smith 1 (4 OT, PK)  
UC San Diego 1, Saint Mary's (MN) 0  
Wis.-Stevens Point 1, Wilmington (OH) 0  
UC San Diego 3, Wis.-Stevens Point 1  
N.C. Wesleyan 1, Gettysburg 0  
Methodist 1, Mary Washington 0  
N.C. Wesleyan 1, Methodist 0 (2 OT).

### Semifinals

TCNJ 6, SUNY Geneseo 0  
UC San Diego 2, N.C. Wesleyan 0.

### Championship

TCNJ 4, UC San Diego 3 (3 OT)

## 1995

### First Round

UC San Diego 2, Cal Lutheran 0  
Macalester 1, Wis.-Stevens Point 0  
Williams\* 1, Plattsburgh St. 1 (4 OT, PK)  
Rochester (NY) 1, Binghamton 0.

### Regionals

UC San Diego 2, Washington-St. Louis 0  
Gust. Adolphus 1, Macalester 0 (2 OT)  
UC San Diego 2, Gust. Adolphus 1 (2 OT)  
William Smith 1, Williams 0

Rochester (NY) 2, Heidelberg 1  
William Smith 2, Rochester (NY) 0 (2 OT)  
Randolph-Macon\* 0, Trinity (TX) 0 (2 OT, PK)  
Methodist 1, Emory 0  
Methodist 1, Randolph-Macon 0  
Amherst 1, Bowdoin 0  
Stockton 2, TCNJ 1  
Stockton\* 1, Amherst 1 (4 OT, PK).

#### Semifinals

UC San Diego 1, William Smith 0  
Methodist 2, Stockton 0.

#### Championship

UC San Diego 3, Methodist 0

## 1996

#### First Round

Ithaca 3, William Smith 0  
Rochester (NY) 2, Skidmore 0  
Heidelberg 2, Wooster 1  
Macalester 1, Gust. Adolphus 0  
UC San Diego 3, Cal Lutheran 0  
Randolph-Macon 1, N.C. Wesleyan 0  
Bates 2, Bowdoin 0  
Stockton 1, Kean 0 (2 OT).

#### Regionals

Ithaca 1, Binghamton 0 (2 OT)  
TCNJ 2, Rochester (NY) 1  
TCNJ 2, Ithaca 0  
Chicago 2, Wilmington (OH) 0  
Macalester 2, Heidelberg 0  
Chicago 1, Macalester 0  
Trinity (TX) 1, Emory 0  
UC San Diego 5, Randolph-Macon 1  
UC San Diego 2, Trinity (TX) 0  
Bates 2, Williams 0  
Amherst 2, Stockton 1 (2 OT)  
Amherst 1, Bates 0.

#### Semifinals

TCNJ 1, Chicago 0  
UC San Diego 2, Amherst 1.

#### Championship

UC San Diego 2, TCNJ 1

## 1997

#### First Round

Elizabethtown 5, Johns Hopkins 0  
Elmira\* 1, Ithaca 1 (4 OT, PK)  
Nazareth 3, SUNY Oneonta 2 (3 OT)  
Colby 1, Bates 0 (2 OT)  
N.C. Wesleyan 3, Lynchburg 0  
Denison 2, DePauw 0  
Kalamazoo 5, Wilmington (OH) 1  
Wheaton (IL) 2, Wis.-Stevens Point 1 (2 OT).

#### Regionals

Elizabethtown 2, TCNJ 1  
Stockton 6, Gettysburg 0  
Elizabethtown 2, Stockton 0  
Amherst 2, Western Conn. St. 0  
Wm. Paterson 4, Drew 0  
Amherst 3, Wm. Paterson 2 (3 OT)  
William Smith 3, Elmira 0  
Rochester (NY) 3, Nazareth 2  
William Smith 6, Rochester (NY) 0  
Colby\* 2, Plymouth St. 2 (2 OT, PK)  
Middlebury 1, Bowdoin 0  
Middlebury 1, Colby 0 (4 OT)  
Mary Washington 2, Emory 0  
Trinity (TX) 1, N.C. Wesleyan 0 (2 OT)  
Mary Washington 3, Trinity (TX) 1  
UC San Diego 2, Chicago 1 (2 OT)  
Gust. Adolphus 4, Cal Lutheran 2  
UC San Diego 3, Gust. Adolphus 1  
Calvin 2, Denison 0  
Washington-St. Louis 2, Kalamazoo 1  
Washington-St. Louis 3, Calvin 2

Macalester 2, Wheaton (IL) 0  
St. Thomas (MN) 1, Saint Benedict 0  
Macalester 4, St. Thomas (MN) 2 (2 OT).

#### Quarterfinals

Elizabethtown 1, Amherst 0  
William Smith 1, Middlebury 0  
UC San Diego 2, Mary Washington 1  
Washington-St. Louis 2, Macalester 1.

#### Semifinals

William Smith\* 0, Elizabethtown 0 (2 OT, PK)  
UC San Diego 2, Washington-St. Louis 0.

#### Championship

UC San Diego 1, William Smith 0

## 1998

#### First Round

Elizabethtown 3, Johns Hopkins 1  
Wellesley 1, Bowdoin 0  
Colby 5, Keene St. 1  
Rochester (NY) 1, Nazareth 0 (3 OT)  
Lynchburg 1, Roanoke 0 (3 OT)  
Gust. Adolphus 2, St. Thomas (MN) 1  
Denison 1, Calvin 0  
Ohio Wesleyan 4, Olivet 3 (2 OT).

#### Regionals

TCNJ 4, Elizabethtown 1  
Stockton 2, Gettysburg 1 (2 OT)  
TCNJ 1, Stockton 0  
Connecticut Col. 2, Wm. Paterson 1 (2 OT)  
Williams\* 0, Amherst 0 (2 OT, PK)  
Connecticut Col. 1, Williams 0  
Wellesley 2, Clark 1  
Tufts 4, Colby 0  
Tufts\* 1, Wellesley 1 (4 OT, PK)  
William Smith\* 0, Rochester (NY) 0 (2 OT, PK)  
\*Ithaca 1, SUNY Cortland 1 (2 OT, PK)  
Ithaca 2, William Smith 1  
Saint Benedict 1, UC San Diego 0  
Willamette 1, Wis.-Stevens Point 0  
Willamette 2, Saint Benedict 1 (2 OT)  
Mary Washington 3, Lynchburg 2  
Emory\* 0, Trinity (TX) 0 (2 OT, PK)  
Mary Washington\* 1, Emory 1 (4 OT, PK)  
Macalester 1, Gust. Adolphus 0 (2 OT)  
Chicago 2, Wheaton (IL) 1  
Macalester 3, Chicago 0  
Washington-St. Louis 5, Denison 1  
Ohio Wesleyan 3, Kalamazoo 2  
Washington-St. Louis 6, Ohio Wesleyan 5 (2 OT).

#### Quarterfinals

TCNJ 1, Connecticut Col. 0 (2 OT)  
Ithaca 1, Tufts 0 (2 OT)  
Willamette 2, Mary Washington 0  
Macalester\* 1, Washington-St. Louis 1 (4 OT, PK).

#### Semifinals

TCNJ 2, Ithaca 0  
Macalester 1, Willamette 0.

#### Championship

Macalester 1, TCNJ 0 (4 OT)

## 1999

#### First Round

Simpson 3, Grinnell 0  
Chicago 2, Edgewood 1 (2 OT)  
N.C. Wesleyan 3, SCAD 2 (OT)  
Union (NY) 4, Ithaca 3 (3 OT)  
SUNY Oneonta 7, Western New Eng. 0  
Bowdoin 2, Framingham St. 0  
Wellesley 1, Endicott 0  
Cal Lutheran 2, Chapman 1  
Puget Sound\* 1, Willamette 1 (4 OT, PK)  
DePauw 3, Capital 0  
Wheaton (IL) 3, Mt. St. Joseph 0  
Elizabethtown 2, Gettysburg 0

Rowan 1, Arcadia 0 (2 OT).

#### Regionals

Macalester 5, Simpson 0  
Chicago 2, Wis.-Stevens Point 1  
Macalester 2, Chicago 0  
N.C. Wesleyan 1, Lynchburg 0  
Denison 3, Mary Washington 1  
N.C. Wesleyan 2, Denison 0  
William Smith 4, Union (NY) 1  
Nazareth 1, SUNY Oneonta 0 (2 OT)  
Nazareth 2, William Smith 0  
Williams 1, Bowdoin 0  
Wellesley 3, Western Conn. St. 0  
Williams 1, Wellesley 0  
UC San Diego\* 1, Cal Lutheran 1 (2 OT, PK)  
Puget Sound 1, UC Santa Cruz 0  
UC San Diego 1, Puget Sound 0 (3 OT)  
Trinity (TX) 4, Maryville (MO) 0  
Hardin-Simmons 1, Austin 0 (OT)  
Trinity (TX) 2, Hardin-Simmons 0  
DePauw 1, Ohio Wesleyan 0  
Wheaton (IL) 2, Kalamazoo 1 (2 OT)  
Wheaton (IL) 1, DePauw 0  
TCNJ\* 0, Elizabethtown 0 (2 OT)  
Scranton\* 0, Rowan 0 (2 OT, PK)  
TCNJ 3, Scranton 0.

#### Quarterfinals

Macalester 1, N.C. Wesleyan 0 (OT)  
Williams 2, Nazareth 0  
UC San Diego 1, Trinity (TX) 0  
TCNJ 1, Wheaton (IL) 0.

#### Semifinals

Macalester 1, Williams 0  
UC San Diego 1, TCNJ 0.

#### Championship

UC San Diego 1, Macalester 0.

## 2000

#### First Round

Stevenson 2, Chris. Newport 1 (2 OT)  
Lynchburg 9, Arcadia 0  
William Penn 1, Webster 0  
Wis.-Stevens Point 7, Edgewood 0  
Wheaton (MA) 1, Framingham St. 0  
Tufts 5, U New England 0  
Nazareth 7, Penn St.-Behrend 1  
Western Conn. St. 1, Union (NY) 0 (3 OT)  
Chapman 4, UC Santa Cruz 0  
Scranton 2, Ithaca 1 (OT)  
Muhlenberg 2, Johnson & Wales (RI) 1  
Wilmington (OH) 1, Mt. St. Joseph 0  
Albion 2, Lawrence 0

#### Regional Semifinals

Stevenson 2, N.C. Wesleyan 1  
Salisbury 2, Lynchburg 1 (2 OT)  
Wheaton (IL) 1, William Penn 0  
Wis.-Stevens Point 1, Macalester 0  
Wheaton (MA) 3, Middlebury 2 (2 OT)  
Tufts\* 0, Bowdoin 0 (2 OT, PK)  
William Smith 2, Nazareth 1  
SUNY Oneonta 1, Western Conn. St. 0 (2 OT)  
Emory 1, SCAD 0  
Trinity (TX) 1, Austin 0 (OT)  
Willamette 2, Cal Lutheran 0  
Chapman 2, Puget Sound 1 (OT)  
Messiah 1, Scranton 0  
TCNJ 3, Muhlenberg 0  
Wilmington (OH) 2, Denison 1  
Ohio Wesleyan 3, Albion 0

#### Regional Finals

Salisbury 2, Stevenson 0  
Wis.-Stevens Point 1, Wheaton (IL) 0  
Tufts 3, Wheaton (MA) 1  
William Smith 2, SUNY Oneonta 1 (2 OT)  
Trinity (TX)\* 1, Emory 1 (4 OT, PK)  
Willamette 1, Chapman 0

TCNJ 1, Messiah 0 (3 OT)  
Ohio Wesleyan 2, Wilmington (OH) 0.

#### Quarterfinals

Wis.-Stevens Point 2, Salisbury 0  
Tufts 1, William Smith 0  
Trinity (TX) 3, Willamette 1  
TCNJ 1, Ohio Wesleyan 0 (3 OT).

#### Semifinals

Tufts 1, Wis.-Stevens Point 0 (OT)  
TCNJ 1, Trinity (TX) 0 (OT).

#### Championship

TCNJ 2, Tufts 1

## 2001

#### First Round

Webster 5, Edgewood 1  
St. Thomas (MN) 1, Loras 0 (2 OT)  
Mary Washington 1, Gwynedd Mercy 0  
Keuka 1, SUNY Oneonta 0  
Nazareth 2, Rochester (NY) 1  
Amherst 6, Endicott 0  
Williams 9, Framingham St. 0  
Lawrence 2, Aurora 1  
N.C. Wesleyan 2, Maryville (TN) 0  
Hardin-Simmons 1, Dallas 0  
DePauw 2, John Carroll 0  
Mt. St. Joseph 1, Denison 0  
Elizabethtown 7, Notre Dame (MD) 0.

#### Second Round

Wis.-Stevens Point 2, Webster 0  
Wheaton (IL) 2, St. Thomas (MN) 0  
Messiah 7, Frostburg St. 0  
Scranton 1, Mary Washington 0  
William Smith 5, Keuka 0  
Union (NY) 3, Nazareth 2  
Amherst 4, Wheaton (MA) 1  
Western Conn. St. 2, Williams 1 (2 OT)  
Willamette 5, Lawrence 0  
Redlands\* 0, Chapman 0 (2 OT, PK)  
Lynchburg\* 2, N.C. Wesleyan 2 (2 OT, PK)  
Hardin-Simmons 3, Trinity (TX) 2  
Ohio Wesleyan 3, DePauw 0  
Albion\* 1, Mt. St. Joseph 1 (2 OT, PK)  
TCNJ 3, Western New Eng. 0  
Muhlenberg 3, Elizabethtown 1.

#### Third Round

Wheaton (IL) 2, Wis.-Stevens Point 1  
Scranton\* 0, Messiah 0 (4 OT, PK)  
William Smith\* 1, Union (NY) 1 (4 OT, PK)  
Amherst 2, Western Conn. St. 1 (2 OT)  
Willamette 3, Redlands 1  
Lynchburg 2, Hardin-Simmons 0  
Ohio Wesleyan 3, Albion 0  
TCNJ 3, Muhlenberg 0.

#### Quarterfinals

Wheaton (IL) 1, Scranton 0  
Amherst 1, William Smith 0  
Willamette 2, Lynchburg 0  
Ohio Wesleyan 1, TCNJ 0.

#### Semifinals

Amherst 1, Wheaton (IL) 0  
Ohio Wesleyan 2, Willamette 1 (OT).

#### Championship

Ohio Wesleyan 1, Amherst 0

## 2002

#### First Round

Bridgewater St.\* 0, Western New Eng. 0 (2 OT, PK)  
Tufts 4, Nichols 0  
Nazareth 3, Grove City 2  
NYU 2, Misericordia 0  
Westminster (PA) 4, Frostburg St. 1  
Albion 1, Mt. St. Joseph 0

Loras 5, Aurora 1  
St. Thomas (MN) 6, Carroll (WI) 1  
SUNY Oneonta 2, Scranton 0  
Mary Washington 5, Notre Dame (MD) 0  
Stevens 1, Johns Hopkins 0  
Emory 2, SCAD 1  
Wash. & Lee 2, Greensboro 0

#### Regional Semifinals

Wheaton (MA) 1, Bridgewater St. 0  
Keene St. 1, Tufts 0  
William Smith\* 1, Nazareth 1 (2 OT, PK)  
NYU.\* 2, Union (NY) 2 (2 OT, PK)  
Ohio Wesleyan 3, Westminster (PA) 0  
Wilmington (OH) 2, Albion 1  
Wis.-Stevens Point 5, Loras 2  
St. Thomas (MN)\* 0, Saint Benedict 0 (2 OT, PK)  
Chicago 2, SUNY Oneonta. 1 (2 OT)  
Wheaton (IL) 3, Webster 1  
Messiah 2, Mary Washington 0  
TCNJ 2, Stevens 1  
Trinity (TX) 2, Emory 0  
Texas-Dallas 1, Wash. & Lee 0  
Puget Sound 4, Claremont-M-S 0  
Chapman\* 1, UC Santa Cruz 1 (2 OT, PK)

#### Regional Finals

Wheaton (MA) 3, Keene St. 1  
William Smith 3, NYU 0  
Ohio Wesleyan 2, Wilmington (OH) 0  
St. Thomas (MN) 3, Wis.-Stevens Point 0  
Wheaton (IL) 2, Chicago 0  
Messiah 2, TCNJ 1  
Trinity (TX) 1, Texas-Dallas 0  
Puget Sound 1, Chapman 0.

#### Quarterfinals

\*William Smith 0, Wheaton (MA) 0 (2 OT, PK)  
Ohio Wesleyan\* 0, St. Thomas (MN) 0 (2 OT, PK)  
Messiah\* 0, Wheaton (IL) 0 (2 OT, PK)  
Trinity (TX) 2, Puget Sound 1.

#### Semifinals

Ohio Wesleyan 3, William Smith 0  
Messiah\* 0, Trinity (TX) 0 (2 OT, PK).

#### Championship

Ohio Wesleyan 1, Messiah 0.

## 2003

#### First Round

Webster 1, Lake Forest 0  
Washington-St. Louis 4, Lakeland 0  
Wis.-Stevens Point 3, Macalester 0  
Chapman 3, Whittier 1  
Wilmington (OH) 1, Thomas More 0 (2 OT)  
Hope 2, Manchester 0  
Me.-Farmington 1, Husson 0 (OT)  
Amherst 1, Bridgewater St. 0  
Endicott 1, Emmanuel (MA) 0  
Mary Washington 2, Cabrini 1  
Frostburg St. 3, Westminster (PA) 2  
Ithaca 2, Grove City 0  
Stevens 5, Chestnut Hill 0

#### Regional Semifinals

Chicago 3, Webster 0  
Wheaton (IL) 1, Washington-St. Louis 0  
Loras 3, Wis.-Stevens Point 1  
Puget Sound 1, Chapman 0  
Wilmington (OH) 1, Allegheny 0  
DePauw 1, Hope 0  
Va. Wesleyan 2, Hardin-Simmons 1  
Wash. & Lee\* 0, Greensboro 0 (2 OT, PK)  
Wheaton (MA) 7, Me.-Farmington 0  
Amherst 2, Endicott 1 (OT)  
TCNJ 4, Denison 2  
Mary Washington 1, Messiah 0  
Scranton 1, Frostburg St. 0  
Muhlenberg 3, Eastern Conn. St. 1  
SUNY Oneonta\* 0, Ithaca 0 (2 OT, PK)

Union (NY) 5, Stevens 0

#### Regional Finals

Chicago\* 0, Wheaton (IL) 0 (2 OT, PK)  
Puget Sound 2, Loras 0  
DePauw 4, Wilmington (OH) 0  
Va. Wesleyan 1, Wash. & Lee 0 (2 OT)  
Wheaton (MA) 3, Amherst 2  
TCNJ 5, Mary Washington 1  
Scranton 1, Muhlenberg 0  
SUNY Oneonta 1, Union (NY) 0 (2 OT).

#### Quarterfinals

Chicago 2, Puget Sound 1 (2 OT)  
DePauw\* 0, Va. Wesleyan 0 (2 OT, PK)  
TCNJ 2, Wheaton (MA) 0  
SUNY Oneonta 1, Scranton 0 (2 OT).

#### Semifinals

Chicago 2, DePauw 1 (OT)  
SUNY Oneonta 2, TCNJ 1.

#### Championship

SUNY Oneonta 2, Chicago 1 (OT)

## 2004

#### First Round

Williams 3, Endicott 1  
Keene St. 1, Worcester St. 0  
Middlebury 4, Simmons 0  
Stevens\* 0, Scranton 0 (2 OT, PK)  
Ithaca 4, Misericordia 1  
Frostburg St.\* 1, Westminster (PA) 1 (2 OT, PK)  
Emory 2, Maryville (TN) 0  
Wis.-Stevens Point 5, Concordia (Wisconsin) 0  
Montclair St. 4, Bay Path 0  
Gettysburg 11, Chestnut Hill 0  
Macalester 3, Grinnell 1  
Redlands 2, Chapman 1  
Hardin-Simmons 2, Dallas 0.

#### Second Round

Wheaton (MA)\* 0, Williams 0 (2 OT, PK)  
Middlebury 2, Keene St. 0  
Hamilton 1, Stevens 0  
SUNY Oneonta. 1, Ithaca 0 (OT)  
Chris. Newport 2, Frostburg St. 1  
Lynchburg 1, Emory 0 (OT)  
Chicago 4, Wis.-Stevens Point 0  
Wheaton (IL) 5, Hope 0  
Messiah\* 0, Montclair St. 0 (2 OT, PK)  
TCNJ 2, Gettysburg 1  
Mary Washington\* 1, Otterbein 1 (2 OT, PK)  
Ohio Wesleyan 9, Manchester 0  
Macalester 1, Loras 0  
Washington-St. Louis 5, Principia 0  
Puget Sound 4, Redlands 1  
Hardin-Simmons 1, Trinity (TX) 0

#### Sectional Semifinals

Wheaton (MA) 2, Middlebury 1  
SUNY Oneonta 2, Hamilton 1  
Chris. Newport 1, Lynchburg 0  
Wheaton (IL) 3, Chicago 0  
Messiah 1, TCNJ 0  
Mary Washington\* 0, Ohio Wesleyan 0 (2 OT, PK)  
Washington-St. Louis\* 0, Macalester 0 (2 OT, PK)  
Puget Sound 2, Hardin-Simmons 0.

#### Sectional Finals

Wheaton (MA) 3, SUNY Oneonta 0  
Wheaton (IL) 4, Chris. Newport 0  
Messiah 3, Mary Washington 0  
Puget Sound 3, Washington-St. Louis 0.

#### Semifinals

Wheaton (IL) 3, Wheaton (MA) 1  
Puget Sound 3, Messiah 0.

#### Championship

Wheaton (IL)\*\* 1, Puget Sound 1 (2 OT, PK)

\*\*Declared champion on basis of penalty kicks

## 2005

### First Round

Westminster (PA) 5, Notre Dame (MD) 1  
Stevens 5, Wilkes 0  
Johns Hopkins\* 1, Rowan 1 (2 OT, PK)  
Otterbein 2, Mt. St. Joseph 1  
\*Ohio Wesleyan 2, Calvin 2 (2 OT, PK)  
Denison 2, Frostburg St. 0  
DePauw\* 0, Hope 0 (2 OT, PK)  
Tufts 3, Johnson & Wales (RI) 0  
Bates 3, Eastern Conn. St. 1  
Wheaton (MA) 4, Worcester St. 0  
Western Conn. St. 2, Endicott 1  
Union (NY) 1, Ithaca 0 (OT)  
Rochester (NY) 1, William Smith 0  
Springfield 3, Castleton 0  
Haverford\* 1, Arcadia 1 (2 OT, PK)  
Dickinson 2, Misericordia 1  
Moravian 2, Wash. & Lee 1 (2 OT)  
Va. Wesleyan 2, Chris. Newport 1  
Lynchburg 3, Catholic 1  
Hardin-Simmons 3, Pomona-Pitzer 0  
Trinity (TX) 2, Dallas 0  
Chicago 4, Aurora 0  
Loras 1, Ill. Wesleyan 0  
Wheaton (IL) 5, Webster 0  
Wis.-Eau Claire\* 0, Augustana (IL) 0 (2 OT, PK)  
Emory 1, Sewanee 0 (OT)  
Puget Sound 3, Maryville (TN) 0  
Grinnell 3, Lakeland 1.

### Second Round

TCNJ 5, Westminster (PA) 0  
Stevens 2, Johns Hopkins 1  
Otterbein 4, Ohio Wesleyan 1  
Denison 1, DePauw 0 (OT)  
Tufts 1, Bates 0  
Wheaton (MA) 1, Western Conn. St. 0  
Rochester (NY)\* 0, Union (NY) 0 (2 OT, PK)  
SUNY Oneonta 3, Springfield 1  
Messiah 1, Haverford 0  
Dickinson 1, Moravian 0  
Lynchburg 1, Va. Wesleyan 0  
Trinity (TX) 3, Hardin-Simmons 2 (OT)  
Chicago 3, Loras 0  
Wheaton (IL) 2, Wis.-Eau Claire 1 (OT)  
Puget Sound 2, Emory 0  
Macalester 3, Grinnell 0

### Sectional Semifinals

TCNJ 1, Stevens 0  
Denison\* 0, Otterbein 0 (2 OT, PK)  
Tufts 5, Wheaton (MA) 2  
SUNY Oneonta 3, Rochester (NY) 0  
Messiah 3, Dickinson 1  
Trinity (TX) 1, Lynchburg 0  
Chicago 2, Wheaton (IL) 1  
\*Puget Sound 0, Macalester 0 (2 OT, PK).

### Sectional Finals

TCNJ 2, Denison 1  
Tufts\* 1, SUNY Oneonta 1 (2 OT, PK)  
Messiah\* 0, Trinity (TX) 0 (2 OT, PK)  
Chicago 1, Puget Sound 0 (OT).

### Semifinals

TCNJ 3, Tufts 0  
Messiah 2, Chicago 1 (OT).

### Championship

Messiah 1, TCNJ 0

## 2006

### First Round

Loras 1, Wis.-Oshkosh 0  
Maryville (TN) 2, Methodist 0  
Wash. & Lee 6, Meredith 0  
Elizabethtown 3, Stockton 2 (OT)  
Montclair St. 1, Nazareth 0  
Johns Hopkins 2, Salisbury 1 (2 OT)

Va. Wesleyan 1, Chris. Newport 0  
Wis.-Eau Claire 2, Concordia-M'head 0  
Augustana (IL) 2, Grinnell 1  
Wheaton (IL) 2, Aurora 0  
Macalester 2, DePauw 1  
Hardin-Simmons\* 2, Puget Sound 2 (2 OT, PK)  
Trinity (TX)\* 1, Willamette 1 (2 OT, PK)  
UC Santa Cruz 3, Claremont-M-S 0  
Stevenson 3, Notre Dame (MD) 1  
Western Conn. St. 2, Western New Eng. 0  
Middlebury 4, Scranton 3  
Worcester St. 2, Stevens 0  
Endicott 3, Union (NY) 2  
Wheaton (MA) 3, Husson 0  
Amherst 2, Kean 0  
Messiah 6, Penn St.-Behrend 0  
Ithaca 4, Brockport 0  
Rochester (NY) 2, Misericordia 0  
SUNY Oneonta 2, Rowan 0  
Wittenberg 2, Otterbein 1  
Denison 2, Transylvania 0  
Kenyon 2, Capital 1.

### Second Round

Washington-St. Louis 3, Loras 0  
Wash. & Lee 1, Maryville (TN) 0  
Elizabethtown 1, Montclair St. 0 (OT)  
Va. Wesleyan\* 0, Johns Hopkins 0 (2 OT, PK)  
Wis.-Eau Claire 4, Augustana (IL) 0  
Wheaton (IL) 3, Macalester 0  
Hardin-Simmons 2, Trinity (TX) 1  
UC Santa Cruz 4, Webster 0  
TCNJ 10, Stevenson 1  
Middlebury 3, Western Conn. St. 2  
Endicott\* 1, Worcester St. 1 (2 OT, PK)  
Amherst 3, Wheaton (MA) 0  
Messiah 2, Ithaca 1 (OT)  
Rochester (NY) 1, SUNY Oneonta 0  
Denison\* 0, Wittenberg 0 (2 OT, PK)  
Calvin 1, Kenyon 0

### Sectional Semifinals

Wash. & Lee 2, Washington-St. Louis 1  
Va. Wesleyan 1, Elizabethtown 0  
Wheaton (IL) 2, Wis.-Eau Claire 0  
Hardin-Simmons\* 0, UC Santa Cruz 0 (2 OT, PK)  
TCNJ 1, Middlebury 0  
Amherst 1, Endicott 0  
Messiah 2, Rochester (NY) 0  
Calvin 1, Denison 0 (2 OT).

### Sectional Finals

Va. Wesleyan\* 0, Wash. & Lee 0 (2 OT, PK)  
Wheaton (IL) 3, Hardin-Simmons 0  
TCNJ\* 0, Amherst 0 (2 OT, PK)  
Messiah\* 1, Calvin 1 (2 OT, PK).

### Semifinals

Wheaton (IL) 2, Va. Wesleyan 0  
TCNJ 1, Messiah 0.

### Championship

Wheaton (IL) 2, TCNJ 0

## 2007

### First Round

Westminster (PA) 2, Manhattanville 0  
York (PA) 2, Stockton 1  
Va. Wesleyan 2, Johns Hopkins 0  
Wittenberg 4, Penn St.-Behrend 0  
Calvin\* 0, Capital 0 (2 OT, PK)  
Ithaca 2, Bowdoin 0  
Wheaton (MA) 9, Summit 0  
TCNJ 7, Farmingdale St. 0  
Eastern 1, Salisbury 0  
Washington-St. Louis 3, Webster 1  
Denison 1, Rose-Hulman 0  
Roanoke 3, Methodist 1  
Lynchburg 1, Maryville (TN) 0  
Hardin-Simmons\* 0, Trinity (TX) 0 (2 OT, PK)  
St. Scholastica 1, Carroll (WI) 0

Chicago 1, Aurora 0  
Wis.-Stevens Point 3, Saint Benedict 2  
Puget Sound 3, Cal Lutheran 0  
Whitworth 2, UC Santa Cruz 1  
Carthage 2, Concordia-M'head 1  
Wartburg 2, Wis.-Eau Claire 1  
Worcester St. 2, William Smith 0  
Union (NY) 1, Elizabethtown 0  
Western Conn. St. 2, Rowan 0  
Endicott 2, SUNY Oneonta 1  
Hamilton 2, Moravian 0  
Tufts 3, Emmanuel (MA) 1  
Springfield 3, Husson 0.

### Second Round

Messiah 3, Westminster (PA) 0  
York (PA) 1, Va. Wesleyan 0  
Wittenberg\* 0, Calvin 0 (2 OT, PK)  
Ithaca 1, Wheaton (MA) 0  
TCNJ 2, Eastern 0  
Washington-St. Louis 3, Denison 0  
Lynchburg 1, Roanoke 0  
Emory 1, Hardin-Simmons 0  
Wheaton (IL) 7, St. Scholastica 1  
Wis.-Stevens Point\* 0, Chicago 0 (2 OT, PK)  
Puget Sound 2, Whitworth 1  
Wartburg 2, Carthage 1  
Worcester St. 2, Union (NY) 1  
Western Conn. St. 3, Endicott 1  
Hamilton\* 2, Tufts 2 (2 OT, PK)  
Williams 1, Springfield 0

### Sectional Semifinals

Messiah 3, York (PA) 0  
Ithaca 1, Wittenberg 0  
TCNJ 1, Washington-St. Louis 0  
Lynchburg 2, Emory 1 (2 OT)  
Wheaton (IL) 4, Wis.-Stevens Point 0  
Puget Sound 3, Wartburg 2 (2 OT)  
Western Conn. St. 2, Worcester St. 1 (2 OT)  
Hamilton 2, Williams 1.

### Sectional Finals

Messiah 3, Ithaca 1  
TCNJ 1, Lynchburg 0  
Wheaton (IL) 2, Puget Sound 0  
Western Conn. St. 1, Hamilton 0.

### Semifinals

Messiah 2, TCNJ 0  
Wheaton (IL) 3, Western Conn. St. 0.

### Championship

Wheaton (IL) 1, Messiah 0

## 2008

### First Round

Husson 2, Norwich 0 (2 OT)  
Western Conn. St.\* 0, Skidmore 0 (2 OT, PK)  
TCNJ 1, Moravian 0  
Ithaca 6, Westfield St. 0  
Roger Williams 1, Rochester (NY) 0  
Emory 3, St. Mary's (MD) 0  
Lynchburg 3, Maryville (TN) 0  
Wheaton (IL) 3, Carroll (WI) 1  
Wis.-Eau Claire 3, Carthage 0  
Washington-St. Louis 3, Principia 0  
Ill. Wesleyan\* 0, Rhodes 0 (2 OT, PK)  
Claremont M-S\* 0, Hardin-Simmons 0 (2 OT, PK)  
UC Santa Cruz 2, Redlands 1  
Carleton 2, St. Scholastica 0  
Wash. & Jeff.\* 1, Marywood 1 (2 OT, PK)  
Calvin 1, Mt. St. Joseph 0  
Chicago 4, Wittenberg 0  
Wis.-Stevens Point 6, Edgewood 0  
Loras\* 1, St. Thomas (MN) 1 (2 OT, PK)  
Rowan 2, SUNY Oneonta 1  
Eastern 1, Wheaton (MA) 0  
Amherst 4, Farmingdale St. 0  
Springfield 1, Union (NY) 0  
Otterbein 1, Penn St.-Altoona 0

Denison 1, Centre 0  
Johns Hopkins 1, Meredith 0  
Va. Wesleyan\* 0, Stockton 0 (2 OT, PK)  
Endicott 1, Nazareth 0  
William Smith 2, Keuka 0.

### Second Round

Williams 3, Husson 0  
TCNJ 3, Western Conn. St. 0  
Ithaca 2, Roger Williams 0  
Lynchburg 1, Emory 0  
Wheaton (IL)\* 0, Wis.-Eau Claire 0 (2 OT, PK)  
Washington-St. Louis\* 0, Ill. Wesleyan 0 (2 OT, PK)  
Claremont-M-S 4, UC Santa Cruz 0  
Carleton 1, Puget Sound 0, Messiah 6, Wash. & Jeff. 0

Chicago\* 0, Calvin 0 (2 OT, PK)  
Wis.-Stevens Point 2, Loras 0  
Eastern 2, Rowan 1  
Amherst 3, Springfield 0  
Otterbein 2, Denison 0  
Johns Hopkins 1, Va. Wesleyan 0  
William Smith\* 1, Endicott 1 (2 OT, PK)

### Sectional Semifinals

Williams 2, TCNJ 1  
Ithaca 2, Lynchburg 0  
Wheaton (IL) 3, Washington-St. Louis 0  
Carleton 1, Claremont-M-S 0  
Messiah 4, Chicago 1  
Eastern 1, Wis.-Stevens Point 0  
Amherst 1, Otterbein 0  
William Smith 3, Johns Hopkins 1.

### Sectional Finals

Williams 2, Ithaca 0  
Wheaton (IL) 2, Carleton 1  
Messiah 2, Eastern 0  
William Smith 1, Amherst 0.

### Semifinals

Wheaton (IL) 3, Williams 1  
Messiah 3, William Smith 0.

### Championship

Messiah 5, Wheaton (IL) 0

## 2009

### First Round

Maryville (TN) 3, Mary Washington 2  
Claremont-M-S 2, UC Santa Cruz 1  
Hardin-Simmons 1, Puget Sound 0  
Wash. & Lee 4, Chris. Newport 0  
Lynchburg 5, Catholic 1  
Concordia-M'head 2, Dubuque 0  
Macalester 3, St. Scholastica 0  
Augustana (IL) 2, Albion 1  
Wis.-Stevens Point 1, St. Thomas (MN) 0  
Calvin 4, Wash & Jeff. 0  
Wittenberg 3, Ohio Northern 1  
Chicago 2, Aurora 0  
Wheaton (IL) 3, Carleton 1  
Washington-St. Louis 2, Webster 1  
Ill. Wesleyan 1, Carroll (WI) 0  
Williams 5, Keuka 0  
SUNY Oneonta 1, Skidmore 0  
Amherst 3, Eastern Conn. St. 0  
TCNJ 2, Plattsburgh St. 0  
Rochester (NY) 4, Westfield St. 0  
Rowan 3, MIT 0  
William Smith 2, Simmons 0  
Ithaca 1, Muhlenberg 0  
Messiah 6, Farmingdale St. 1  
Endicott\* 1, SUNY Geneseo 1 (2 OT, PK)  
Otterbein 1, Frostburg St. 0  
Denison 2, Transylvania 0  
Middlebury 6, Husson 0  
Wheaton (MA) 2, Stockton 0  
Johns Hopkins 4, Cabrini 0  
Eastern 1, Va. Wesleyan 0.

### Second Round

Trinity (TX) 5, Maryville (TN) 0  
Hardin-Simmons 3, Claremont-M-S 0  
Lynchburg 2, Wash. & Lee 0  
Concordia-M'head 3, Macalester 1  
Augustana (IL) 1, Wis.-Stevens Point 0  
Calvin 1, Wittenberg 0  
Wheaton (IL) 1, Chicago 0  
Washington-St. Louis 1, Ill. Wesleyan 0  
Williams 2, SUNY Oneonta 1  
TCNJ 4, Amherst 0  
Rowan 1, Rochester (NY) 0  
Ithaca\* 0, William Smith 0 (2 OT, PK)  
Messiah 1, Endicott 0  
Otterbein 1, Denison 0  
Middlebury 2, Wheaton (MA) 1  
Johns Hopkins 2, Eastern 1

### Sectional Semifinals

Trinity (TX) 1, Hardin-Simmons 0  
Lynchburg 4, Concordia-M'head 0  
Calvin 2, Augustana (IL) 1  
Washington-St. Louis\* 0, Wheaton (IL) 0 (2 OT, PK)  
TCNJ 1, Williams 0  
Ithaca 2, Rowan 1 (OT)  
Messiah 1, Otterbein 0 (2 OT)  
Johns Hopkins 1, Middlebury 0.

### Sectional Finals

Lynchburg\* 1, Trinity (TX) 1 (2 OT, PK)  
Washington-St. Louis 2, Calvin 1  
TCNJ 1, Ithaca 0  
Messiah 3, Johns Hopkins 1.

### Semifinals

Washington-St. Louis\* 1, Lynchburg 1 (2 OT, PK)  
Messiah 1, TCNJ 0.

### Championship

Messiah 1, Washington-St. Louis 0

## 2010

### First Round

Redlands 2, Chapman 1  
Trinity (TX) 2, Puget Sound 0  
Hardin-Simmons 3, Principia 0  
Lynchburg 1, Transylvania 0  
Emory 2, Maryville (TN) 0  
Carleton 2, Augustana (IL) 1 (OT)  
Wheaton (IL) 3, Lawrence 0  
Ill. Wesleyan 3, Wash. & Jeff. 0  
Denison 1, Penn St.-Altoona 0  
Wis.-Stevens Point 4, Macalester 2  
Concordia-M'head 2, Northwestern-St. Paul 0  
Loras 3, Aurora 1  
Wartburg\* 0, Chicago 0 (2 OT, PK)  
Washington-St. Louis 2, Allegheny 1  
Otterbein 1, Calvin 0  
Scranton 1, Plattsburgh St. 0  
William Smith 3, Keuka 0  
Rochester (NY) 1, Western Conn. St. 0  
SUNY Oneonta 3, Roger Williams 0  
Wheaton (MA) 4, Mitchell 0  
Eastern Conn. St. 1, Worcester St. 0  
Williams 3, Lasell 0  
Brandeis 2, Castleton 1  
Messiah 4, Manhattanville 0  
Rowan 2, Stevenson 0  
Stevens 2, Wm. Paterson 1  
Dickinson\* 1, Centenary (NJ) 1 (2 OT, PK)  
Hamilton 1, Va. Wesleyan 0  
Johns Hopkins 2, Farmingdale St. 0  
Ithaca 1, Springfield 0  
TCNJ 4, Chris. Newport 0.

### Second Round

Redlands 3, Cal Lutheran 0  
Hardin-Simmons 2, Trinity (TX) 1  
Emory 1, Lynchburg 0 (OT)  
Wheaton (IL) 4, Carleton 1

Denison 2, Ill. Wesleyan 0  
Wis.-Stevens Point 1, Concordia-M'head 0  
Loras 2, Wartburg 0  
Otterbein 2, Washington-St. Louis 0  
William Smith 3, Scranton 1  
SUNY Oneonta 2, Rochester (NY) 0  
Eastern Conn. St.\* 0, Wheaton (MA) 0 (2 OT, PK)  
Williams 6, Brandeis 0  
Messiah 4, Rowan 0  
Dickinson 5, Stevens 1  
Johns Hopkins 2, Hamilton 0  
TCNJ 3, Ithaca 0

### Sectional Semifinals

Hardin-Simmons 2, Redlands 0  
Emory\* 1, Wheaton (IL) 1 (2 OT, PK)  
Denison\* 1, Wis.-Stevens Point 1 (2 OT, PK)  
Otterbein\* 0, Loras 0 (2 OT, PK)  
William Smith 2, SUNY Oneonta 1  
Williams 2, Eastern Conn. St. 0  
Messiah 3, Dickinson 0  
Johns Hopkins 2, TCNJ 1.

### Sectional Finals

Hardin-Simmons 2, Emory 1  
Otterbein\* 1, Denison 1 (2 OT, PK)  
William Smith 1, Williams 0  
Messiah 2, Johns Hopkins 1.

### Semifinals

Hardin-Simmons\* 0, Otterbein 0 (2 OT, PK)  
Messiah 4, William Smith 0.

### Championship

Hardin-Simmons 2, Messiah 1

## 2011

### First Round

Wheaton (IL) 5, Penn St.-Behrend 0  
Capital 1, Alma 0  
Wartburg 2, Principia 0  
Wis.-Whitewater 2, Aurora 0  
Loras 3, Hanover 0  
Saint Benedict\* 0, Carroll (WI) 0 (2 OT, PK)  
Washington-St. Louis 2, Thomas More 0  
Wis.-Oshkosh\* 0, Ohio Wesleyan 0 (2 OT, PK)  
Trinity (TX) 5, St. Scholastica 2  
Hardin-Simmons 3, Texas-Dallas 0  
Ohio Northern 1, Scranton 0 (OT)  
Ithaca 2, Ill. Wesleyan 1 (OT)  
Case 3, Lebanon Valley 0  
SUNY Cortland\* 0, Eastern 0 (2 OT, PK)  
UC Santa Cruz 1, Cal Lutheran 0 (OT)  
Concordia-M'head\* 1, Puget Sound 1 (2 OT, PK)  
Messiah 10, Elms 0  
Skidmore\* 0, MIT 0 (2 OT, PK)  
SUNY New Paltz\* 0, Lynchburg 0 (2 OT, PK)  
Rowan 1, Shenandoah 0 (OT)  
Amherst 3, Castleton 1  
Misericordia 1, Farmingdale St. 0  
Johns Hopkins 6, Eastern Conn. St. 1  
Springfield 2, Cabrini 0  
William Smith 6, Lancaster Bible 0  
Wheaton (MA) 1, Salisbury 0  
Middlebury 2, Lasell 0  
TCNJ 3, Roger Williams 0  
Emory 3, Piedmont 0  
Centre\* 0, Roanoke 0 (2 OT, PK)  
Westfield St.\* 1, Stevens 1 (2 OT, PK)  
Williams 1, Va. Wesleyan 0.

### Second Round

Wheaton (IL) 3, Capital 0  
Wis.-Whitewater\* 1, Wartburg 1 (2 OT, PK)  
Saint Benedict 2, Loras 1  
Washington-St. Louis 2, Wis.-Oshkosh 0  
Trinity (TX) 3, Hardin-Simmons 1  
Ithaca 1, Ohio Northern 0  
SUNY Cortland 1, Case 0  
Concordia-M'head 2, UC Santa Cruz 1 (OT)  
Messiah 3, Skidmore 0

SUNY New Paltz 2, Rowan 1 (OT)  
Amherst 3, Misericordia 1  
Johns Hopkins 4, Springfield 1  
William Smith 1, Wheaton (MA) 0  
Middlebury 1, TCNJ 0  
Emory 2, Centre 0  
Williams 2, Westfield St. 1

#### Sectional Semifinals

Wheaton (IL) 4, Wis.-Whitewater 1  
Washington-St. Louis 2, Saint Benedict 1  
Ithaca 1, Trinity (TX) 0 (2 OT)  
SUNY Cortland 2, Concordia-M'head 0  
Messiah 1, SUNY New Paltz 0  
Amherst 2, Johns Hopkins 0  
William Smith 2, Middlebury 1  
Williams 1, Emory 0 (2 OT).

#### Sectional Finals

Wheaton (IL) 4, Washington-St. Louis 2  
Ithaca 2, SUNY Cortland 0  
Messiah 3, Amherst 1  
William Smith 4, Williams 0.

#### Semifinals

Wheaton (IL) 2, Ithaca 0  
Messiah 1, William Smith 0.

#### Championship

Messiah 3, Wheaton (IL) 1

## 2012

#### First Round

Trinity (TX) 1, Puget Sound 0  
Hardin-Simmons 1, Chapman 0  
Wheaton (IL) 4, Webster 0  
Wis.-Whitewater 4, Wittenberg 0  
Washington-St. Louis 3, Transylvania 0  
Thomas More 1, Augustana (IL) 0  
Concordia-M'head 2, Lake Forest 1  
Cal Lutheran 2, Wartburg 1  
Loras 2, St. Scholastica 0  
Calvin 1, Aurora 0 (OT)  
Centre 2, Agnes Scott 0  
Emory 2, DePauw 0  
Carnegie Mellon 5, Cabrini 0  
Ohio Northern\* 1, Rochester Inst. 1 (2 OT, PK)  
Wheaton (MA) 1, Westfield St. 0 (OT)  
Williams 2, Farmingdale St. 0  
Ithaca 5, UMass Boston 1  
Bowdoin\* 0, Scranton 0 (2 OT, PK)  
Middlebury 3, Castleton 1  
Misericordia 2, Lesley 0  
Lasell 3, Amherst 1  
Brandeis 2, Union (NY) 1 (OT)  
William Smith 3, Penn St.-Behrend 0  
SUNY Cortland 1, Springfield 0  
Messiah 2, Roger Williams 1  
Grove City 1, Western Conn. St. 0  
TCNJ 6, CCNY 0  
MIT\* 0, Haverford 0 (2 OT, PK)  
Montclair St. 3, Averett 2 (OT)  
Lynchburg 1, Frostburg St. 0  
Johns Hopkins 5, Lancaster Bible 0  
Rowan 1, Va. Wesleyan 0.

#### Second Round

Hardin-Simmons\* 2, Trinity (TX) 2 (2 OT, PK)  
Wheaton (IL) 7, Wis.-Whitewater 0  
Washington-St. Louis 3, Thomas More 2 (OT)  
Concordia-M'head 3, Cal Lutheran 2  
Loras 4, Calvin 2  
Emory 2, Centre 0  
Carnegie Mellon 1, Ohio Northern 0  
Wheaton (MA) 1, Williams 0  
Ithaca 2, Bowdoin 1  
Misericordia 1, Middlebury 0  
Brandeis 3, Lasell 0  
SUNY Cortland\* 0, William Smith 0 (2 OT, PK)  
Messiah 3, Grove City 0  
MIT 1, TCNJ 0 (OT)

Lynchburg 2, Montclair St. 0  
Johns Hopkins 4, Rowan 2

#### Sectional Semifinals

Wheaton (IL) 2, Hardin-Simmons 1 (OT)  
Washington-St. Louis 2, Concordia-M'head 1  
Emory 2, Loras 1  
Carnegie Mellon 3, Wheaton (MA) 0  
Misericordia\* 0, Ithaca 0 (2 OT, PK)  
Brandeis 2, SUNY Cortland 1  
Messiah 5, MIT 0  
Johns Hopkins 3, Lynchburg 1.

#### Sectional Finals

Wheaton (IL) 3, Washington-St. Louis 1  
Emory\* 0, Carnegie Mellon 0 (2 OT, PK)  
Misericordia 2, Brandeis 0  
Messiah 3, Johns Hopkins 0.

#### Semifinals

Emory 2, Wheaton (IL) 1  
Messiah 3, Misericordia 0.

#### Championship

Messiah 1, Emory 0

## 2013

#### First Round

Washington-St. Louis 5, St. Norbert 2  
Calvin 1, Aurora 0 (2 OT)  
Puget Sound 1, Cal Lutheran 0 (2 OT)  
Hardin-Simmons 2, Claremont-M-S 0  
Hanover 2, Salem 1  
Thomas More 2, Allegheny 1  
Wis.-Whitewater 3, St. Scholastica 2 (OT)  
Capital 1, Chicago 0 (2 OT)  
William Smith 5, Cabrini 0  
SUNY Oneonta 1, Farmingdale St. 0  
TCNJ 2, Penn St.-Berks 0  
Rochester Inst.\* 0, MIT 0 (2 OT, PK)  
Messiah 4, Lasell 1  
Amherst 1, Springfield 0  
Ithaca 3, Penn St.-Behrend 0  
Rowan 1, Skidmore 0  
Montclair St. 1, Colby-Sawyer 0  
Bowdoin 3, Chris. Newport 1  
Trinity (TX) 3, Augustana (IL) 1  
Ill. Wesleyan 3, Transylvania 0  
Wheaton (IL) 4, Webster 0  
Loras 2, Saint Benedict 0  
Emory 6, Piedmont 1  
Lynchburg 3, Centre 2  
Johns Hopkins 6, Brooklyn 0  
York (PA) 1, Carnegie Mellon 0  
Williams 5, Lesley 1  
Keene St. 2, Haverford 0  
Middlebury 5, Bridgewater St. 0  
Endicott 1, Scranton 0  
Misericordia 2, Drew 0  
Trinity (CT) 2, Elizabethtown 1.

#### Second Round

Washington-St. Louis 3, Calvin 1  
Puget Sound 1, Hardin-Simmons 0 (2 OT)  
Thomas More 1, Hanover 0  
Capital 1, Wis.-Whitewater 0  
William Smith 1, SUNY Oneonta 0  
TCNJ 1, Rochester Inst. 0  
Messiah 2, Amherst 0  
Ithaca 1, Rowan 0  
Montclair St. 7, Bowdoin 0  
Trinity (TX)\* 1, Ill. Wesleyan 1 (2 OT, PK)  
Wheaton (IL) 3, Loras 2  
Emory 2, Lynchburg 0  
Johns Hopkins 1, York (PA) 0 (OT)  
Williams 3, Keene St. 0  
Middlebury 2, Endicott 1  
Misericordia\* 0, Trinity (CT) 0 (2 OT, PK)

#### Sectional Semifinals

Washington St.-Louis 3, Puget Sound 0  
Capital 2, Thomas More 1

William Smith 1, TCNJ 0  
Ithaca 1, Messiah 0 (OT)  
Trinity (TX) 2, Montclair St. 1  
Wheaton (IL) 1, Emory 0 (2 OT)  
Johns Hopkins 2, Williams 1 (2 OT)  
Middlebury 5, Misericordia 1.

#### Sectional Finals

Capital\* 1, Washington-St. Louis 1 (2 OT, PK)  
William Smith 1, Ithaca 0  
Trinity (TX) 2, Wheaton (IL) 1  
Middlebury 1, Johns Hopkins 0.

#### Semifinals

William Smith 1, Capital 0  
Trinity (TX) 2, Middlebury 1.

#### Championship

William Smith 2, Trinity (TX) 0

## 2014

#### First Round

[Messiah 5, Brooklyn 0](#)  
[Capital\\* 0, Gettysburg 0 \(2 OT, PK\)](#)  
[Nazareth 1, Worcester St. 0](#)  
[Amherst 2, NYU 0](#)  
[Lynchburg 4, Salem 0](#)  
[Stevenson 1, Chris. Newport 0 \(OT\)](#)  
[Montclair St. 1, Lesley 0](#)  
[Connecticut Col. 3, Swarthmore 1](#)  
[Hope 1, Wheaton \(IL\) 0 \(2 OT\)](#)  
[Ill. Wesleyan 4, Dubuque 2](#)  
[Chicago 1, Webster 0](#)  
[Augsburg 1, Wis.-Oshkosh 0 \(OT\)](#)  
[Puget Sound 1, Washington-St. Louis 0](#)  
[Centre 4, Wis.-Whitewater 0](#)  
[Lake Forest 2, St. Scholastica 1 \(OT\)](#)  
[Aurora 2, Concordia-M'head 1 \(OT\)](#)  
[Carnegie Mellon 3, Penn St.-Berks 0](#)  
[Catholic 3, Hanover 2](#)  
[Johns Hopkins 4, Farmingdale St. 0](#)  
[SUNY Geneseo\\* 3, Frostburg St. 3 \(2 OT, PK\)](#)  
[Trinity \(TX\) 3, Texas-Tyler 0](#)  
[Redlands 2, Hardin-Simmons 1](#)  
[Thomas More 6, Maryville \(TN\) 0](#)  
[Kenyon 1, Emory 0](#)  
[Williams 2, Lasell 0](#)  
[Ithaca 3, Springfield 1](#)  
[MIT 3, Colby-Sawyer 1](#)  
[Roger Williams 3, Bowdoin 0](#)  
[Williams Smith 5, Keene St. 0](#)  
[TCNJ 3, Allegheny 0](#)  
[Misericordia 4, Cabrini 0](#)  
[Brandeis 2, Penn St.-Behrend 0.](#)

#### Second Round

[Messiah 5, Capital 1](#)  
[Nazareth\\* 2, Amherst 2 \(2 OT, PK\)](#)  
[Lynchburg 4, Stevenson 1](#)  
[Montclair St. 1, Connecticut Col. 0 \(2 OT\)](#)  
[Ill. Wesleyan 2, Hope 1](#)  
[Chicago 3, Augsburg 0](#)  
[Centre\\* 0, Puget Sound 0 \(2 OT, PK\)](#)  
[Aurora 1, Lake Forest 0 \(OT\)](#)  
[Carnegie Mellon 2, Catholic 1 \(OT\)](#)  
[Johns Hopkins 3, SUNY Geneseo 1](#)  
[Trinity \(TX\) 2, Redlands 0](#)  
[Thomas More 2, Kenyon 1](#)  
[Williams 4, Ithaca 1](#)  
[Roger Williams 1, MIT 0 \(2 OT\)](#)  
[TCNJ 2, Williams Smith 1 \(2 OT\)](#)  
[Misericordia 2, Brandeis 1](#)

#### Sectional Semifinals

[Messiah 3, Nazareth 0](#)  
[Lynchburg 2, Montclair St. 0](#)  
[Ill. Wesleyan 3, Chicago 2 \(2 OT\)](#)  
[Centre\\* 1, Aurora 1 \(2 OT, PK\)](#)  
[Johns Hopkins\\* 1, Carnegie Mellon 1 \(2 OT, PK\)](#)  
[Thomas More 1, Trinity \(TX\) 0 \(2 OT\)](#)  
[Williams 3, Roger Williams 2](#)







# 2014 NCAA Division III Women's Soccer Championship

Professional League  
November 14-15

Weekend  
November 16-17

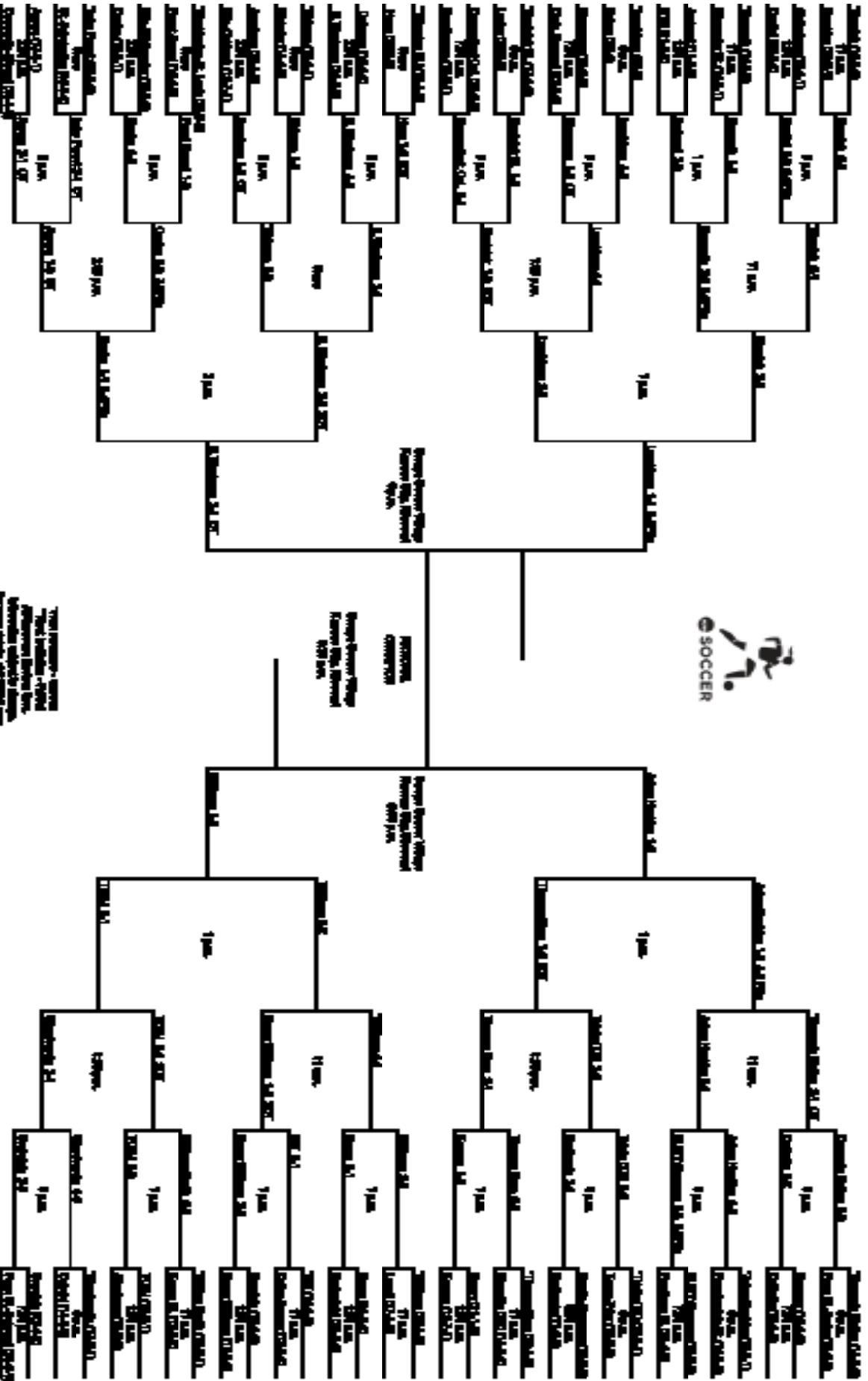
Weekend  
November 18

National Championship  
November 19

Weekend  
November 20-21

Weekend  
November 22-23

Professional League  
November 24-25

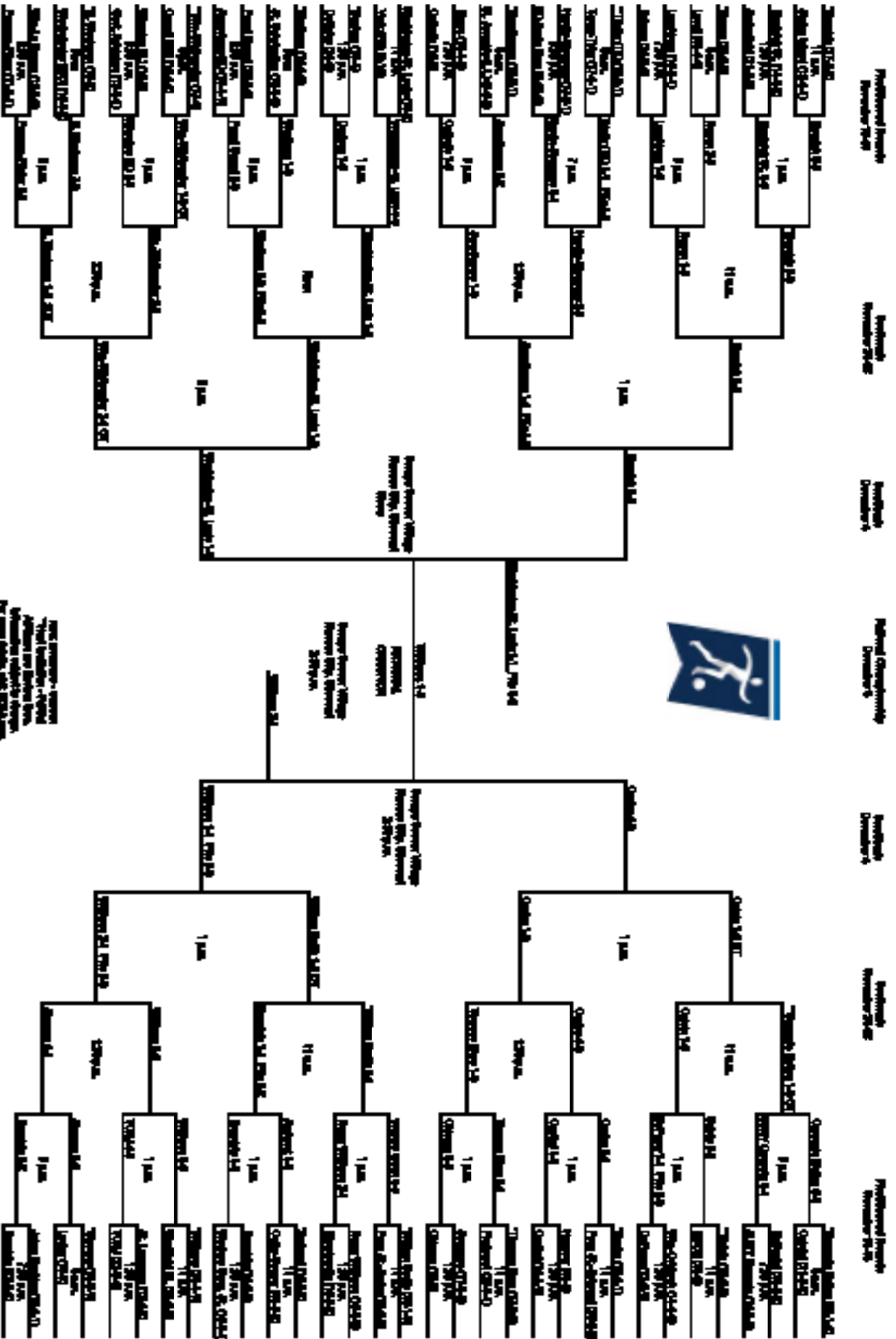


THE CHAMPION - 2014  
 The national champion is the University of Wisconsin-La Crosse. The national champion is the University of Wisconsin-La Crosse.

© 2014 National Collegiate Athletic Association. All rights reserved. For more information, visit [www.ncaa.org](http://www.ncaa.org).  
 The NCAA is an equal opportunity organization.



# 2015 NCAA Division III Women's Soccer Championship

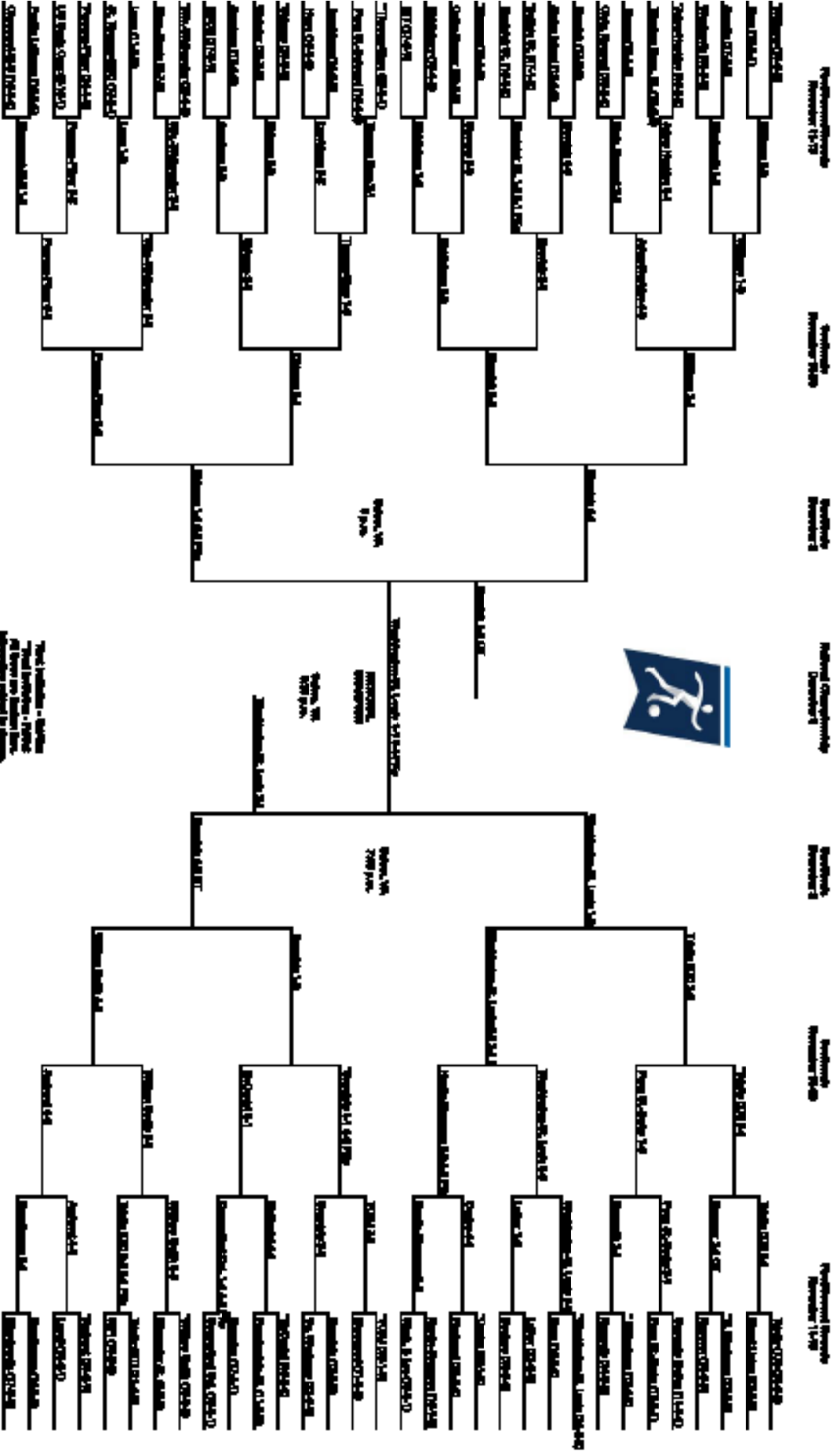


REG REGIONAL FINALS  
 REG REGIONAL FINALS  
 REG REGIONAL FINALS  
 REG REGIONAL FINALS  
 REG REGIONAL FINALS  
 REG REGIONAL FINALS  
 REG REGIONAL FINALS  
 REG REGIONAL FINALS

©2015 National Collegiate Athletic Association. All rights reserved. For more information, visit [www.ncaa.org](http://www.ncaa.org).  
 NCAA and the NCAA logo are trademarks of the National Collegiate Athletic Association.



# 2016 NCAA Division II Women's Soccer Championship



\*Hosts include - Seattle  
 \*Final host/venue - UNC  
 \*All times are Eastern time  
 \*All times subject to change  
 \*All times subject to change  
 \*Times are subject to change  
 \*Times are subject to change



# 2017 NCAA Division III Women's Soccer Championship

**First/Second Rounds**  
November 10-12

**Sectionals**  
November 17-19

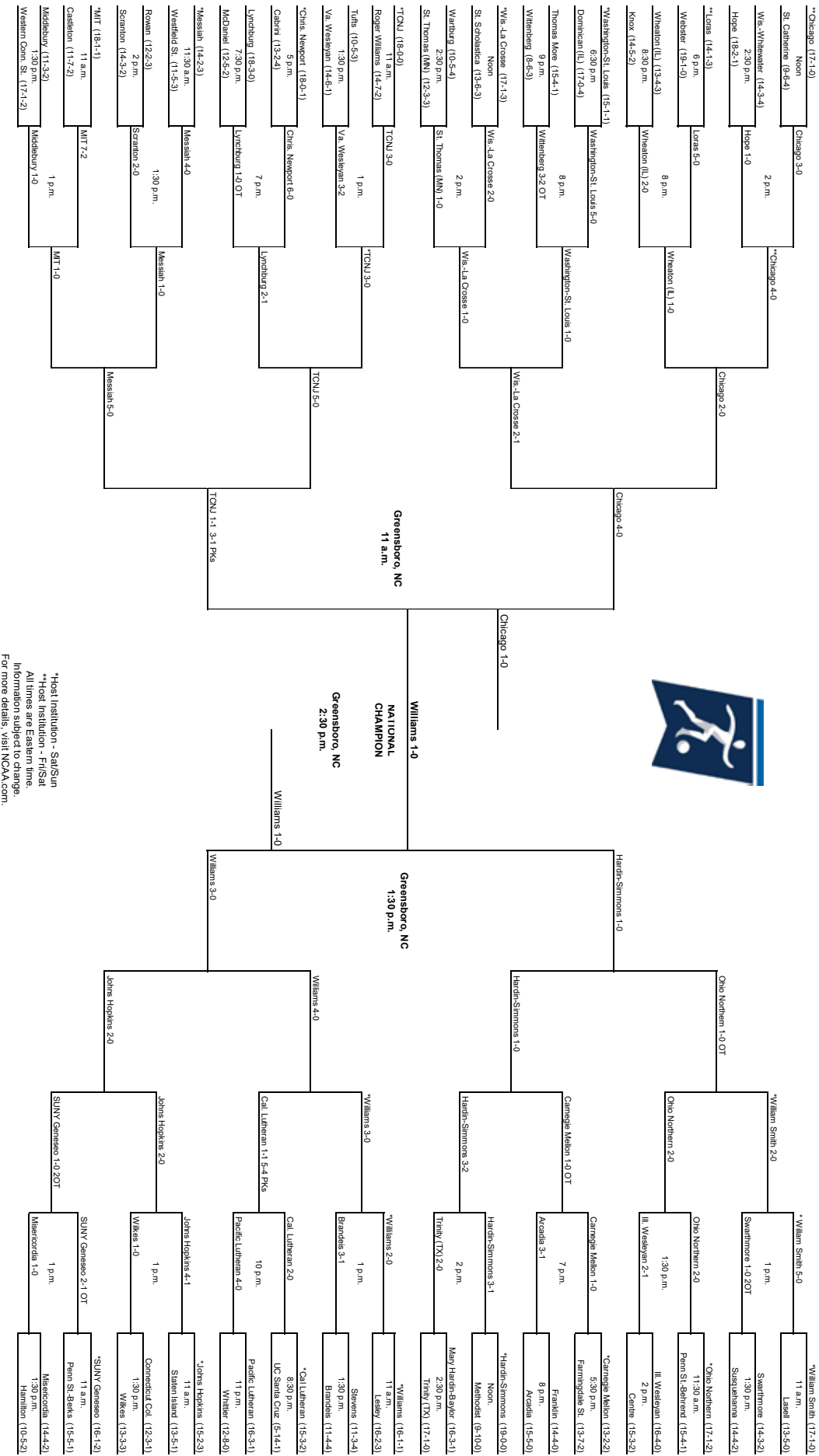
**Semifinals**  
December 1

**National Championship**  
December 2

**Semifinals**  
December 1

**Sectionals**  
November 17-19

**First/Second Rounds**  
November 10-12



\*Host Institution - Set/Sun  
 \*\*Host Institution - First Set  
 All times are Eastern time.  
 Information subject to change.  
 For more details, visit NCAA.com.

© 2017 National Collegiate Athletic Association. No commercial use without the NCAA's written permission.  
 The NCAA opposes all forms of sports wagering.